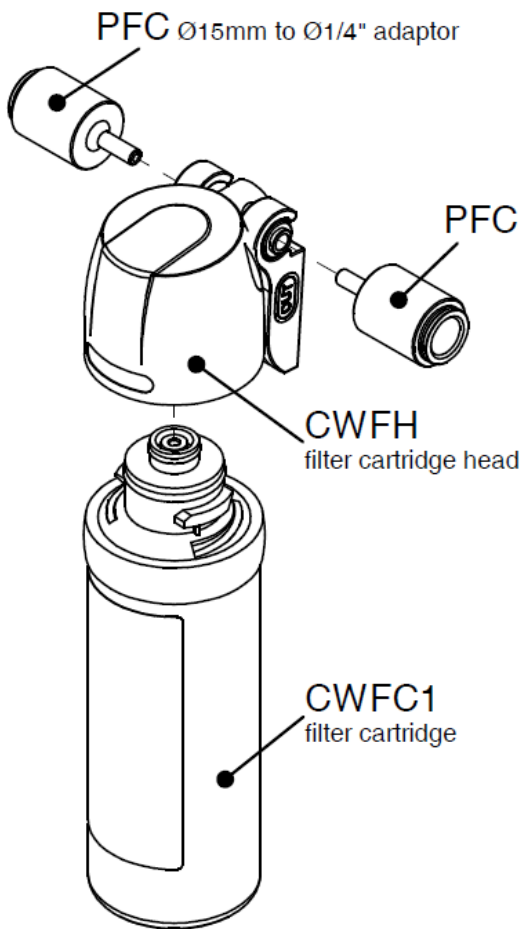
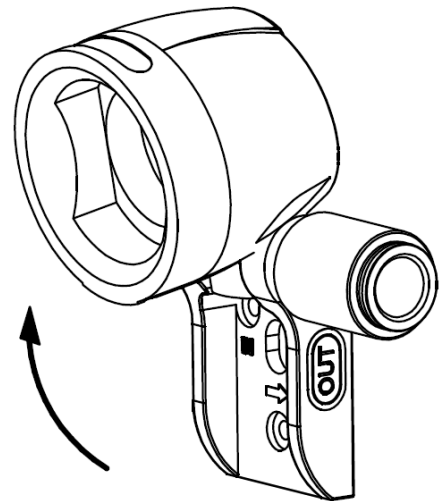


Supplied in kit:

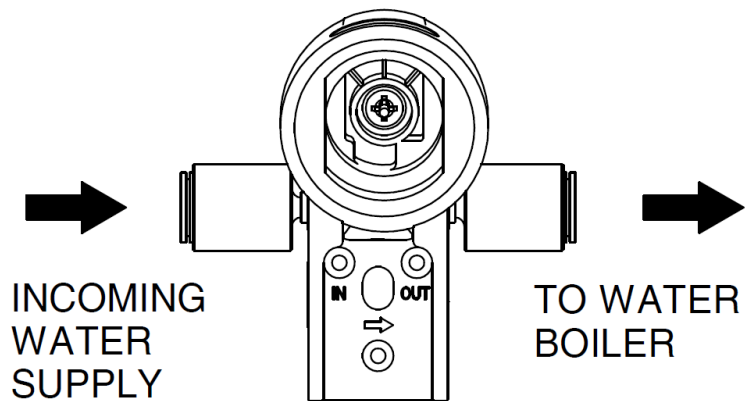


1. Remove cartridge by twisting and pulling downwards

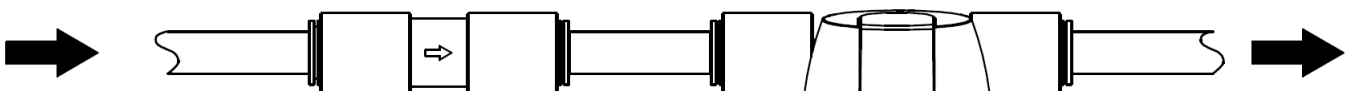


2. Hinge head upward to expose the 3 fixing holes

3. Fix head to wall. **IMPORTANT:** ensure correct direction of flow



Recommended single check valve



To comply with WRAS regulations, a single check valve (not supplied) must be fitted at the point of connection between the water supply and the filter.

To be effective, the filter cartridge must be replaced every 6000 litres or 6 months, whichever comes first. The head contains an automatic isolation valve which allows the cartridge to be removed without manually isolating the supply. Be aware that a small volume of water may be ejected.

The filter is rated to a pressure of 80 PSI (5.5 bar). To ensure this is not exceeded, it may be necessary to fit a pressure reducing valve (PRV) in the pipework before the filter.