

**C:** Steam outlet chimney / Air inlet chimney  
**V1:** Washing solenoid valve  
**V2:** Steam solenoid valve  
**H:** Hood connection  
**E:** Electric connection  
**S:** Drain water

## Dimensions and weight

Oven width: 900 mm  
 Oven depth: 890 mm  
 Oven height: 1915 mm  
 Net weight full optional: 225 Kg

Packaging width: 980 mm  
 Packaging depth: 1010 mm  
 Packaging height: 2095 mm  
 Weight with packaging full optional: 265 Kg  
 Packaging volume: 2.07 m<sup>3</sup>

## Installation

Minimum left side distance: 500 mm  
 Minimum right side distance: 50 mm  
 Minimum back distance: 50 mm  
 Min. distance from heat sources: 500 mm

## Electrical connection

Supply: 380-415 V 3N 50/60 Hz

Maximum power: 39 kW

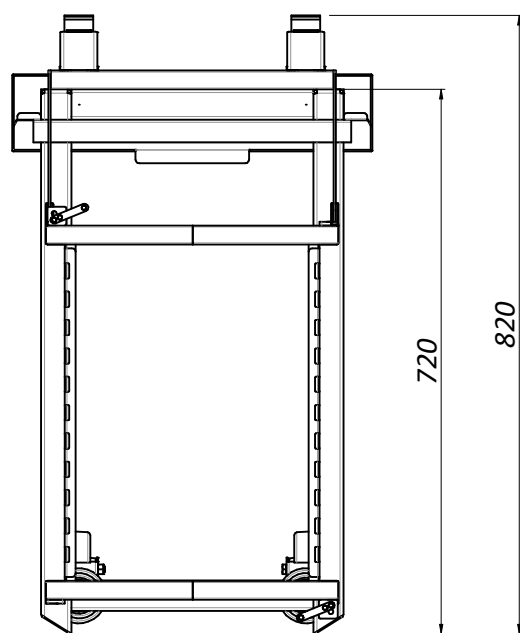
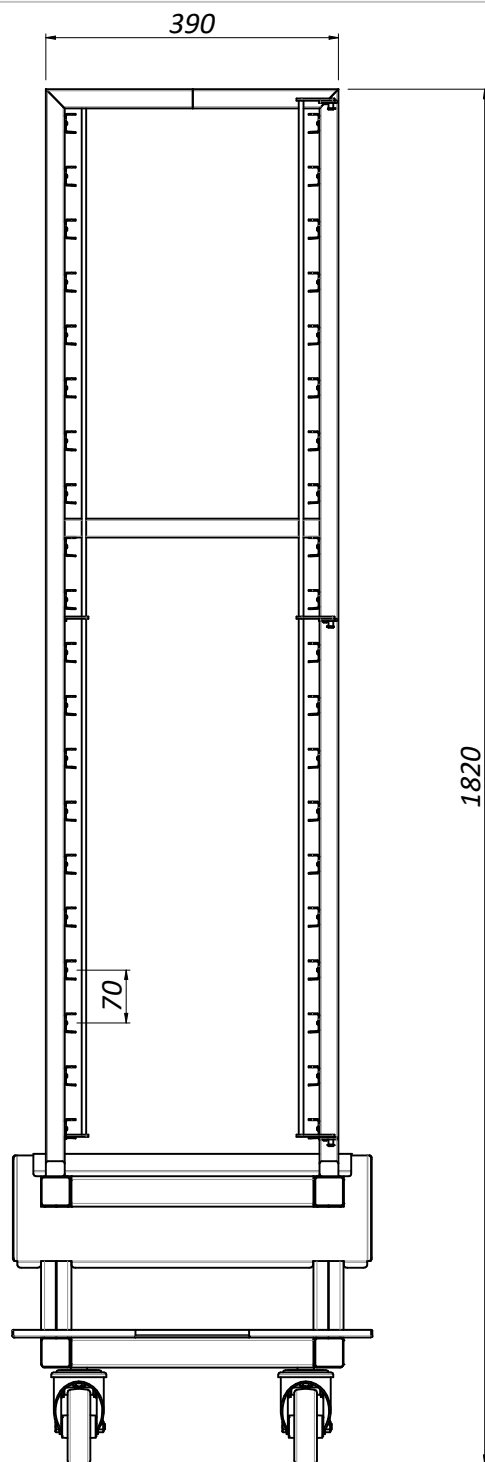
Current: 64 A

Cable dimension: 5x10 mm<sup>2</sup>  
 H07RN-F

## Water connection

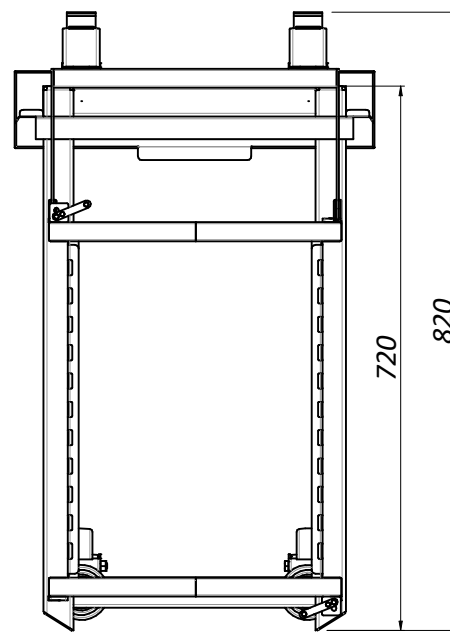
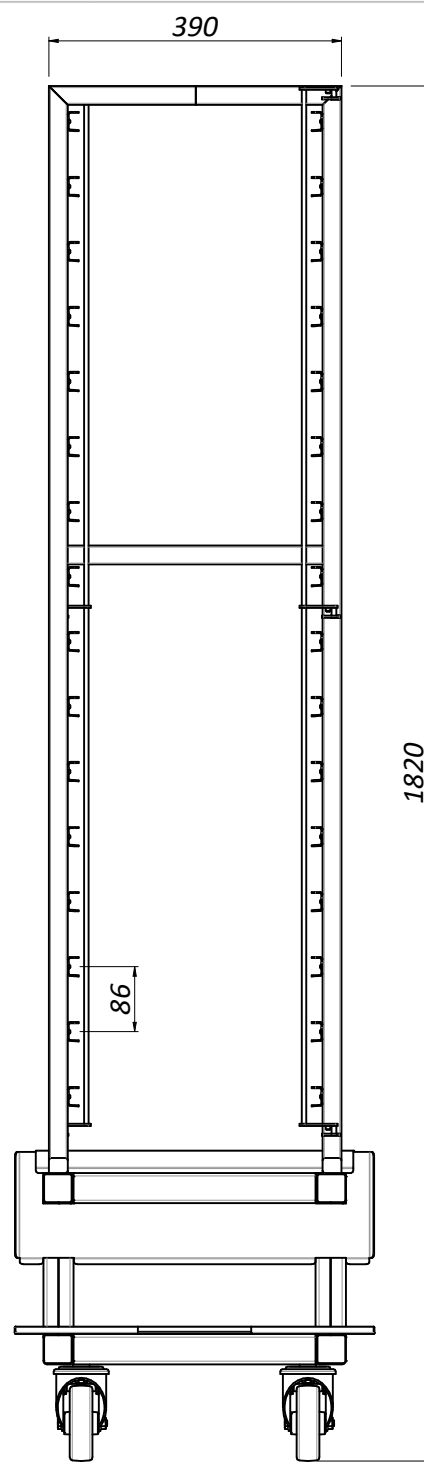
Water wash connection V1: 3/4"  
 Steam water connection V2: 3/4" Softened  
 Water pressure: 1.5-5 bar  
 Max water hardness: 4° d  
 Minimum Condutance: 50 µS/cm  
 Exhaust size S: 32 mm

IP rating: IPx4



**Capacity trolley**

**Trays type: GN11**  
**Number of trays: 20**  
**Distance between trays: 70 mm**  
**Weight Trolley: 37 Kg**  
**Max load: 90 Kg**



**Capacity trolley**

**Trays type: GN11**  
**Number of trays: 16**  
**Distance between trays: 85 mm**  
**Weight Trolley: 37 Kg**  
**Max load: 90 Kg**