



Distributor:
 KiD Catering Equipment
 Oaktree Court Business Centre
 Mill Lane, Ness, Cheshire, CH64 8TP
 Tel: 0333 123 2450
 sales@kidcateringequipment.com

MIRAGE® INTERNATIONAL STANDARD DROP-IN INDUCTION WARMER



Mirage® International Standard Drop-in Induction Warmer

DESCRIPTION

The high-efficiency, standard drop-in induction warmer is designed for use in buffet stations with induction-ready chafers and serving pieces. The 650W, 230 volt range plugs easily into standard 230V outlets.

The case frame is made from heavy-duty, 18-gauge stainless steel with vitro ceramic top. The ceramic top is easily cleaned with a mild cleaner.

The induction warmer is equipped with a variety of safety features including:

- Over-heat protection
- Small-article detection
- Pan auto-detection function
- Empty-pan shut-off

Agency Listings



This device complies with Part 18 FCC Rules.

Due to continued product improvement, please consult www.vollrathco.com for current product specifications.

MODELS

- 59641 Drop-in Warmer – Schuko CEE7-7 Plug
- 59642 Drop-in Warmer – UK2-15P Plug
- 59643 Drop-in Warmer – China Plug
- 59645 Drop-in Warmer – AU2-15P Plug

FEATURES

- Simple 1-5 power level adjustments
- 90% efficiency rating
- Warmers display HOT when unit is turned off, if the top is still hot
- Vertical control panel for runoff of liquid spills
- Unit comes with complete with a 6-ft. (183 cm) cord and plug and does not require hard wiring
- Full one-year parts and labor warranty

IMPORTANT

- This appliance is intended for use with induction-ready cookware.
- All models require unrestricted intake and exhaust air ventilation for proper operation of the controls. The maximum intake temperature must not exceed 110°F (43°C). Temperatures are measured in ambient air while all appliances in the kitchen are in operation.
- Drop-in models require a minimum clearance of 3 inches (7.6 cm) at the rear and 1 inch (2.5 cm) at the bottom.

WARRANTY: All models shown come with Vollrath's standard warranty against defects in materials and workmanship. For full warranty details, please refer to the Vollrath Equipment and Smallwares Catalog.

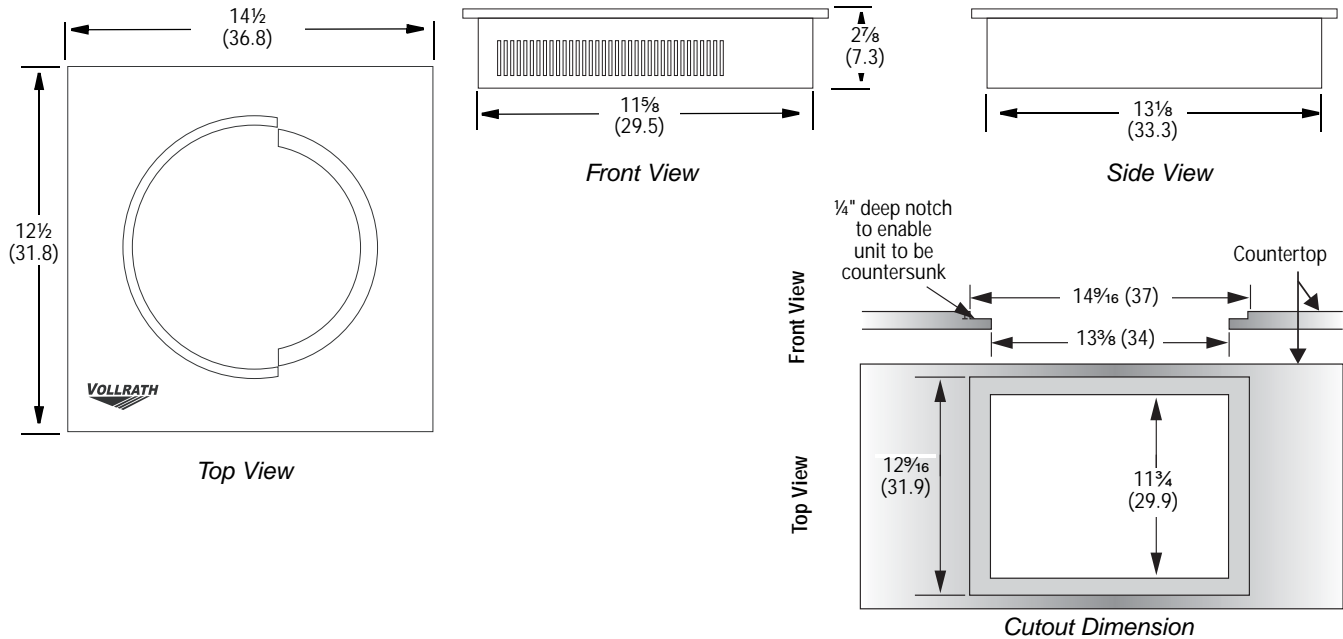
Approvals	Date

MIRAGE® INTERNATIONAL STANDARD DROP-IN INDUCTION WARMER

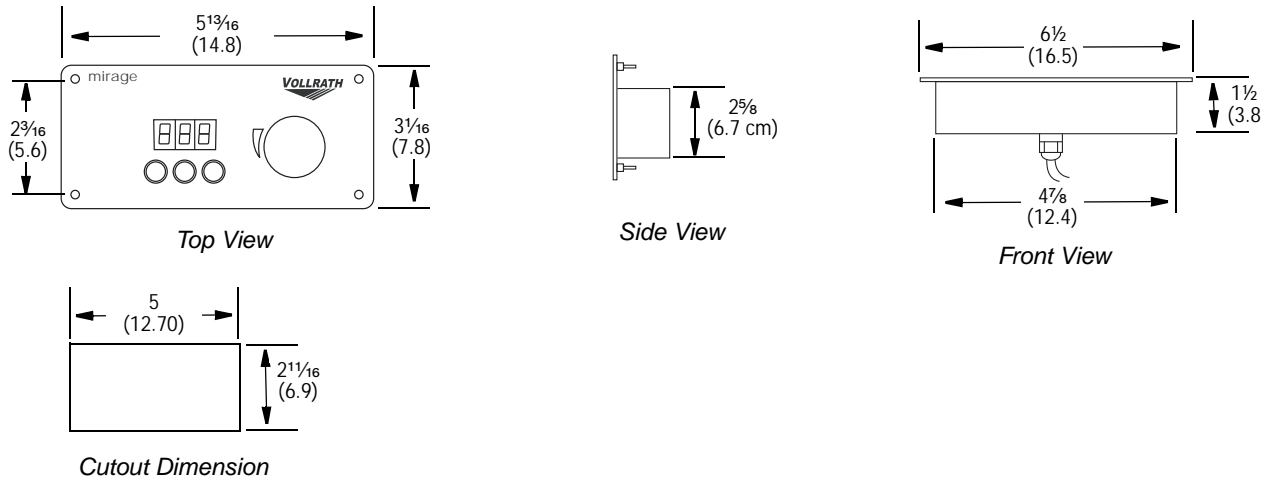
MODELS	59641 Drop-in Warmer – Schuko CEE7-7 Plug	59643 Drop-in Warmer – China Plug
	59642 Drop-in Warmer – UK2-15P Plug	59645 Drop-in Warmer – AU2-15P Plug

DIMENSIONS

Dimensions shown in inches (cm)



REMOTE CONTROL



SPECIFICATIONS - 1 PHASE, 50/60 HZ

Model	Max Pan Size	kW Rating	Voltage (AC)	Nominal Amps	Wall/Supply Side Plug	Weight Lb (Kg)	Shipping Weight Lb (Kg)	Shipping Container
59641	14 (35.6)	.65	230	2.8	Schuko CEE7-7	12 (5.4)	16.4 (7.4)	17 $\frac{3}{8}$ x 17 x 6 $\frac{7}{8}$ (44.1 x 43.2 x 17.5)
59642					UK2-15P (BS546)			
59643					China			
59645					AU2-15P			

Receptacles

