



Distributor:
 KiD Catering Equipment
 Oaktree Court Business Centre
 Mill Lane, Ness, Cheshire, CH64 8TP
 Tel: 0333 123 2450
 sales@kidcateringequipment.com

INTERNATIONAL MIRAGE® STANDARD COUNTERTOP INDUCTION RANGES



DESCRIPTION

The ultra-low profile, portable countertop induction range is designed for use in light to medium-duty front-of-the-house cooking.

The induction ranges are equipped with a variety of safety features including:

- Over-heat protection
- Small-article detection
- Pan auto-detection function
- Empty-pan shut-off
- Safety auto-shut-off function

AGENCY LISTINGS



Due to continued product improvement, please consult www.vollrath.com for current product specifications.

ITEMS

- 59650 Countertop Range, Schuko Plug
- 59651 Countertop Range, UK Plug
- 59652 Countertop Range, China Plug
- 59655 Countertop Range, AU Plug

FEATURES

- 1-100 power levels or °F/°C temperature level controls
- 90% efficiency rating
- Easy to read digital readout for power level
- 1-180 minute timer
- The case frame is made from heavy-duty, 18-gauge stainless steel with a ceramic top
- The top displays HOT when unit is turned off, if the cooking surface is still hot
- Variable speed knob for fast temperature adjustment
- Rubber feet to prevent slipping of appliance
- 6-ft. (183 cm) cord with plug

WARRANTY

All models shown come with Vollrath's standard warranty against defects in materials and workmanship. For full warranty details, please refer to www.Vollrath.com.

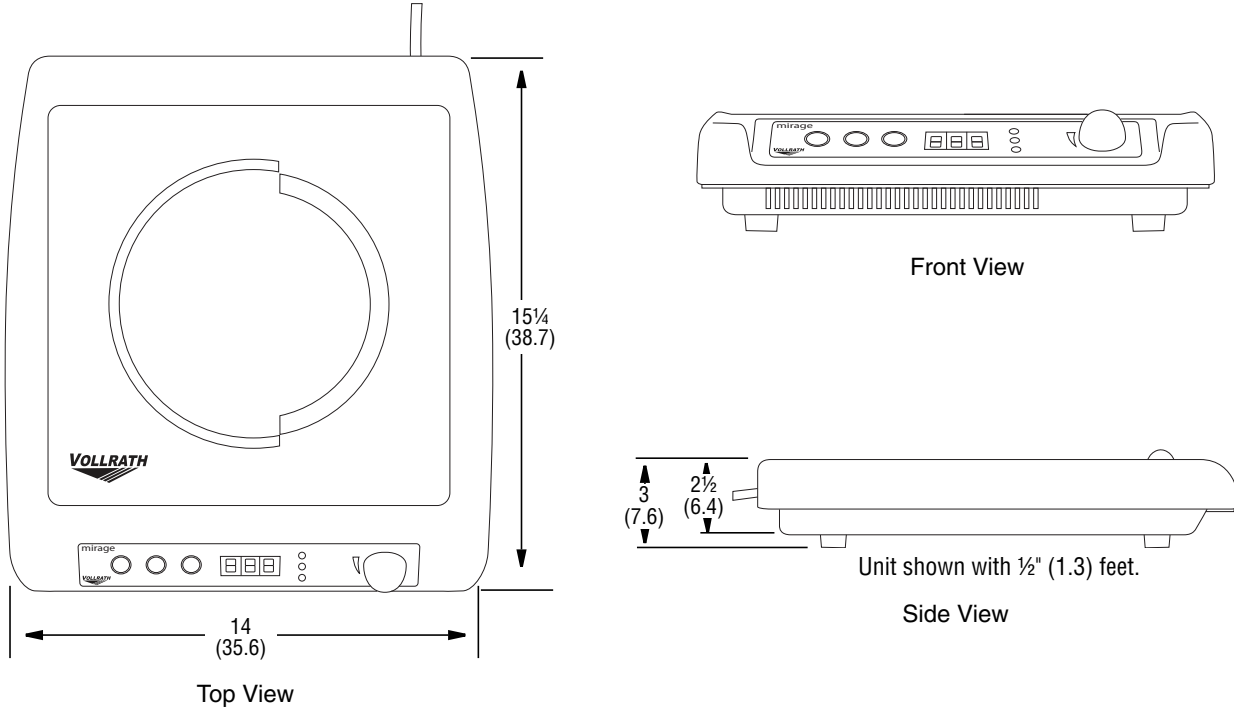
CLEARANCE AND ENVIRONMENT REQUIREMENTS

- This appliance is intended for use with induction-ready cookware. It is not intended to be used with aluminum pans with a metal disk on the bottom.
- All models require adequate unrestricted intake and exhaust air ventilation for proper operation of the controls. The maximum intake temperature must not exceed 110°F (43°C). Temperatures are measured in ambient air while all appliances in the kitchen are in operation.
- Countertop models require a minimum clearance of 4 inches (10.2 cm) at the rear and 1 inch (2.5 cm) at the bottom.

Approvals	Date

INTERNATIONAL MIRAGE® STANDARD COUNTERTOP INDUCTION RANGES

DIMENSIONS (Shown in inches (cm))

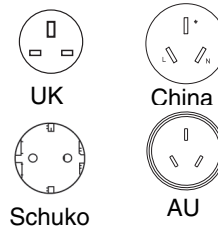


SPECIFICATIONS

Item No.	Max Pan Diameter* IN (CM)	Volts	Watts	Amps	Phase	HZ	Plug	Weight LB (KG)
59650	14 (35.6)	230	1800	7.8	1	50/60	Schuko	12.8 (5.8)
59651							UK	
59652							China	
59655							AU	

* Maximum pan diameter is provided as a guideline for achieving maximum performance. Other factors impact performance including pan construction material, the density and volume of the food in the pan, ambient temperature and food temperature.

Receptacles



Distributor:
KiD Catering Equipment
 Oaktree Court Business Centre
 Mill Lane, Ness, Cheshire, CH64 8TP
 Tel: 0333 123 2450
 sales@kidcateringequipment.com