



# POTATO PEELER PI-30 230-400/50/3N

Stainless steel construction commercial potato peeler. 30 Kg. / 66 pounds load per cycle.



1000630



DYNAMIC PREPARATION  
COMMERCIAL POTATO PEELERS

## SALES DESCRIPTION

Not only to peel potatoes, but also suitable to peel carrots and other similar products.

High capacity and production owing to lateral stirrers covered with silicon carbide abrasive (approved by NSF). Aluminium base plate lined with silicon carbide abrasive (approved by NSF). Construction in stainless steel.


- ✓ Auto-drag of waste to the drain.
- ✓ Energy efficiency thanks to engine optimisation.
- ✓ Lifiable transparent polycarbonate cover, complete with locking and safety device.
- ✓ Aluminium door with hermetic seal and safety device.
- ✓ Waterproof control board (IP65): Improved reliability against moisture and water splash.
- ✓ Water inlet system with non-return air break.
- ✓ Auxiliary contact for external electric valve.
- ✓ 0-6min timer and possibility of continuous operation.

## ACCESSORIES

- Stands for potato peelers
- Filters for potato peelers



SAMMIC S.L.  
Basiglio, 1 - 20720 AZCOITTA  
www.sammic.com

	Distributor: Kid Catering Equipment Oaktree Court Business Centre Mill Lane, Ness, Cheshire, CH64 8TP Tel: 0333 123 2450 sales@kidcateringequipment.com	Project	Date
		Item	Qty
		Approved	

product sheet  
updated 22/01/2021



# POTATO PEELER PI-30 230-400/50/3N

Stainless steel construction commercial potato peeler. 30 Kg. / 66 pounds load per cycle.



1000630

## SPECIFICATIONS

Hourly production: 600 Kg / 720 Kg  
 Capacity per load: 30 Kg  
 Timer (min-max): 0' - 6'  
 Total loading: 730 W  
 Electrical supply: 230 V-400 V / 50 Hz / 3N  
 ~ (3 A-1.9 A)  
 Plug: -

### External dimensions (WxDxH)

- ✓ Width: 622 mm
- ✓ Depth: 760 mm
- ✓ Height: 1002 mm

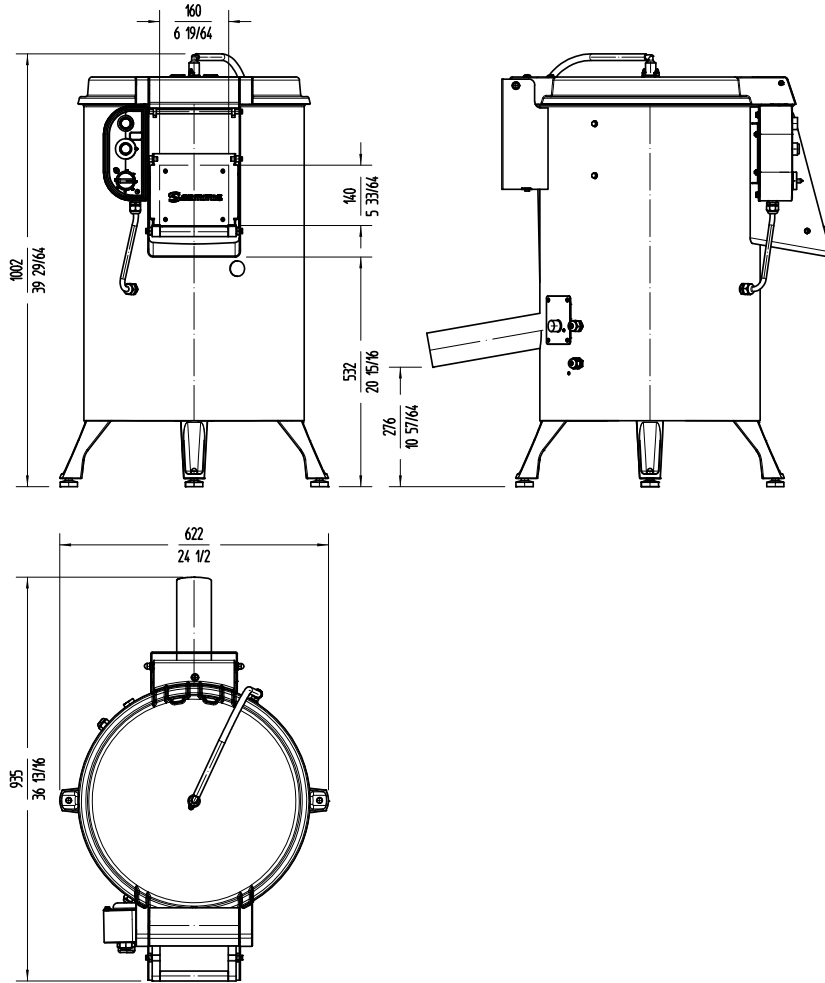
### External dimensions with stand

- ✓ Width with stand: 546 mm
- ✓ Depth with stand: 760 mm
- ✓ Height with stand: 1255 mm

Net weight: 56.9 Kg

### Crated dimensions

670 x 835 x 1180 mm  
 Gross weight: 67.2 Kg.



DYNAMIC PREPARATION  
COMMERCIAL POTATO PEELERS



Distributor:  
 KiD Catering Equipment  
 Oaktree Court Business Centre  
 Mill Lane, Ness, Cheshire, CH64 8TP  
 Tel: 0333 123 2450  
 sales@kidcateringequipment.com

Project

Date

Item

Qty

Approved

product sheet  
updated 22/01/2021