



POTATO PEELER PI-10 230/50/1

10 Kg. / 22 pounds load per cycle.



1000651



DYNAMIC PREPARATION
COMMERCIAL POTATO PEELERS

SALES DESCRIPTION

Stainless steel construction commercial potato peeler. Also suitable to peel carrots and other similar products. 0-6 min. timer. Removable plate for easy cleaning.


- ✓ Construction in stainless steel.
- ✓ Lateral stirrers covered with silicon carbide abrasive (approved by NSF).
- ✓ Aluminium base plate lined with silicon carbide abrasive (approved by NSF), easily removable for cleaning purposes.
- ✓ Auto-drag of waste to the drain.
- ✓ Energy efficiency owing to engine optimisation.
- ✓ Lifiable transparent polycarbonate cover, complete with locking and safety device.
- ✓ Aluminium door with hermetic seal and safety device.
- ✓ Waterproof control board (IP65): Improved reliability against moisture and water splash.
- ✓ Water inlet system with non-return air break.
- ✓ Auxiliary contact for external electric valve.
- ✓ 0-6min timer and possibility of continuous operation.

ACCESSORIES

- Stands for potato peelers
- Filters for potato peelers



SAMMIC, S.L.
Basiglio, 1 - 20720 ACQUOITTA
www.sammic.com

	Distributor: KiD Catering Equipment Oaktree Court Business Centre Mill Lane, Ness, Cheshire, CH64 8TP Tel: 0333 123 2450 sales@kidcateringequipment.com	Project	Date
		Item	Qty
		Approved	

product sheet
updated 22/01/2021



POTATO PEELER PI-10 230/50/1

10 Kg. / 22 pounds load per cycle.



1000651

SPECIFICATIONS

Hourly production: 200 Kg / 240 Kg
 Capacity per load: 10 Kg
 Timer (min-max): 0' - 6'
 Total loading : 550 W
 Electric power supply (V) : 230 V / 50 Hz / 1
 ~ / (3.5 A)
 Plug: -

External dimensions (WxDxH)

- ✓ Width: 435 mm
- ✓ Depth: 635 mm
- ✓ Height: 668 mm

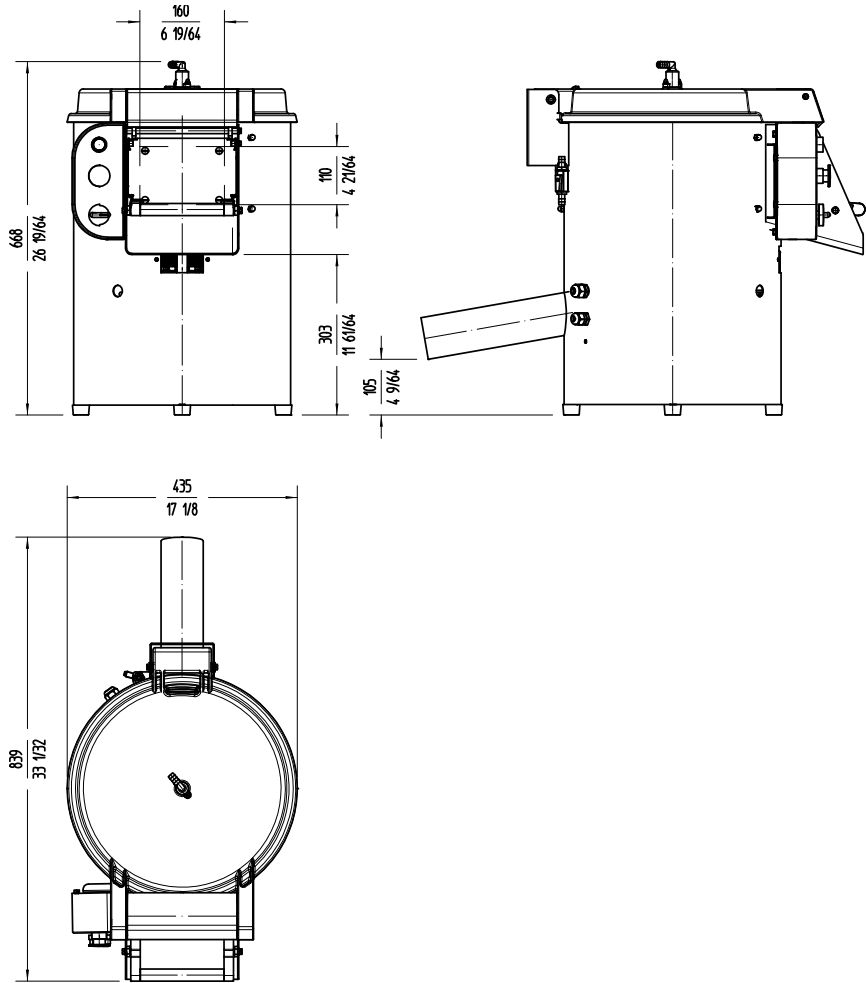
External dimensions with stand

- ✓ Width with stand: 433 mm
- ✓ Depth with stand: 638 mm
- ✓ Height with stand: 1040 mm


Net weight: 36.2 Kg

Crated dimensions

670 x 470 x 810 mm
 Gross weight: 43.9 Kg.



DYNAMIC PREPARATION
COMMERCIAL POTATO PEELERS

	Distributor: KiD Catering Equipment Oaktree Court Business Centre Mill Lane, Ness, Cheshire, CH64 8TP Tel: 0333 123 2450 sales@kidcateringequipment.com	Project	Date
		Item	Qty
		Approved	