

Gas Salamander Grill

Gas Salamander Grill

Models MVS60

MVS90



MVS60



MVS90

Standard Features

- 600mm and 900mm versions available
- surface combustion plaque burner with low turn down facility
- Flame failure device on burner
- Adjustable height branding plate
- Adjustable height toast rack and crumb tray
- Vitreous enamelled interior for easy cleaning
- Stainless steel control panel
- Removable grease trough
- Reversible ribbed branding plate

Options & Accessories

- Stainless steel wall brackets
- Stainless steel tubular bench stand
- Stainless steel tubular floor stand
- Stainless steel splashback & shelf for mounting above MV General Purpose Range
- Flexible gas hose
- Also available in Natural Gas or Propane

Specifications

The Moorwood Vulcan 600mm and 900mm grills provide the finishing touch to any kitchen.

Single high efficiency plaque burners combines power with reliability.

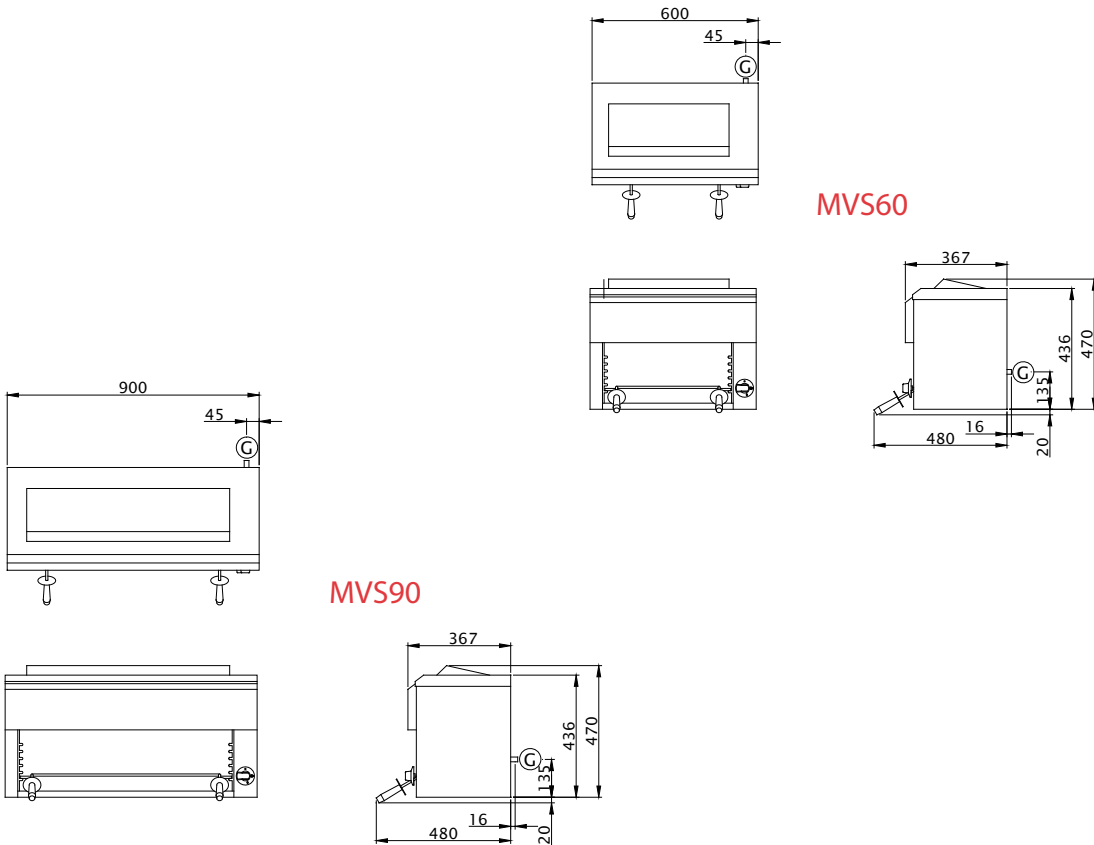
The three position gas control offers a low turn down facility to keep the grill in standby mode.

The adjustable height and slope on the brander and toasting rack provides total flexibility for all applications.

Can be mounted on wall brackets, floor or bench stand.

The product is ideal for a hard working kitchen and is designed to provide many years of value-for money service.





DIMENSIONS

MODEL NO.	OVERALL SIZE			COOKING SURFACE		NET WEIGHT	SHIPPING WEIGHT (APPROX)
	HEIGHT	WIDTH	DEPTH	WIDTH	DEPTH		
MVS60	470mm	600mm	367mm	596mm	525mm	67kg	76kg
MVS90	470mm	900mm	367mm	896mm	525mm	98kg	109kg

POWER REQUIREMENTS

Model NO.	Gas Consumption per hr. Natural Gas	Gas Consumption per hr. Propane Gas	Gas Connection	Total Output (kW) NG / LP
MVS60	0.6m ³ /hr	0.43kg/hr	R 1/2"	6.5 / 6.1
MVS90	0.82m ³ /hr	0.58kg/hr	R 1/2"	8.9 / 8.2

If using a flexible snap on connection hose, a 3/4" diameter is required. Please consult the Technical Manual or CORGI regulations for further details. Please allow adequate clearance for Connection elbow & governor arrangement behind equipment

For further information on MV products and services or advice on which unit suits you best please contact the sales department.