

## DV 80.2 / DV 120.2

The Simple Pleasure of Washing  
with the MEIKO Premium Range



DV 80.2 and DV 120.2 – MEIKO high-capacity dishwashing machines.  
Ergonomics and automatic hoods guarantee pure washing pleasure.



## DV 80.2

### The fun way of washing-up

The MEIKO DV 80.2 is designed for dishware and crockery, but it also can be used for the high-performance cleaning of glassware. Low-maintenance, smooth stainless steel surfaces as well as a clearly arranged operating display lend it inviting visual appeal. And its inner values leave nothing to be desired. Optimised wash and rinse system, perfected tank concept and a unique filter system. The highly developed ergonomics and automatic hood make washing with MEIKO technology pure enjoyment.

## DV 80.2

### The Bestseller:

Reliable, easy to use, impeccably clean results. The premium range pass-through dishwashing machine.

Infeed height (in mm):  
H 440

Basket dimensions (in mm):  
500 x 500

Capacity:  
up to 60 baskets / hour

MEIKO Technology:



## DV 120.2

### Cleaning enjoyment to the third power



The MEIKO DV 120.2, unlike the DV 80.2, has also been designed for the quick and thorough cleaning of heavy-duty dishware, pots, containers etc. The electronically controlled washing power programme with three cycles to choose from, three different pump motor capacities as well as state-of-the-art electronics guarantee impeccable washing quality and optimal economic efficiency. That's how MEIKO makes three dishwashing machines out of one for you.

## DV 120.2

### Why washing pays off:

- Optimal washing power control based on the amount to be washed and degree of soiling. Three pressure levels available:
  - **Gentle wash**  
for e.g. crockery
  - **Intensive programme**  
for dishware
  - **Power programme**  
for cooking utensils, pots etc.
- Precise adjustment of the engine output to the washed items means less energy consumption
- Electronically controlled soft start of the washing pump prevents abrupt washing pressure dynamics, conserving the washware and machine.

Infeed height (in mm):

H 440

Basket dimensions (in mm):  
500 x 500

Capacity:  
up to 60 baskets / hour

MEIKO Technology:



# Washing up made a lot more convenient

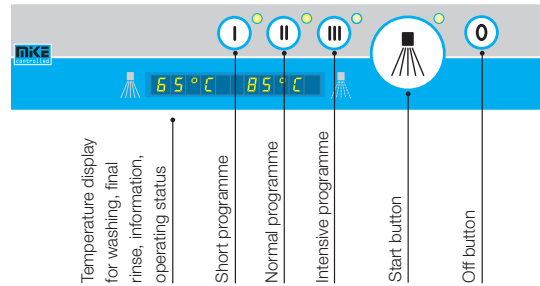
DV 80.2 / DV 120.2

Cleanliness down to every corner



## MIKE 2. MEIKO technology for maximum convenience

MEIKO pass-through machines DV 80.2 and DV 120.2 come equipped with modern MIKE 2 full electronics. Lightly tapping the respective area is all that is needed to start the three programmes. The operation and status messages are digitally displayed. Easily understood symbols and clearly displayed temperatures for washing and final rinse make operation and monitoring child's play.



**MIKE 2 – fully electronic convenience of use with a built-in infrared interface for the “2 generation”.** It doesn't get more convenient than this. MIKE 2 is currently one of the most innovative control technologies for dishwashing machines. Combined with the intelligent M-Commander W, data can now be easily read, defined, modified and transferred via PC or Internet to the factory or customer service for immediate processing. This means significant benefits in terms of time and money spent on maintenance.



## The MEIKO automatic hood. Now in the premium range (optional)

**A fully automatic programme by the touch of a button. The finest washing convenience available.**

The hood is opened and closed automatically, providing for superb convenience and ergonomics – what no one wants to do without!

- Separate button for opening and closing hood
- Highest capacity
- Manual hood actuation no longer necessary
- Continuous feed
- Excellent ergonomics



## The convenient functions of the DV 80.2 / DV 120.2 under the magnifying glass



**A clear overview: the washing-up area**  
Functionally designed, easily removable surface sieves cover the wash tank below them.



**Clean: the wash water fine filter system AktivPlus**  
Combined with the tank sieves ensures multiple, optimal wash water filtering. This means the tank water stays clean longer with top hygienic cleaning quality.



**Easy and ergonomic handling due to all around accessible hood rod**  
Closing the hood starts the programme (automatic hood start).



**Quick and safe: the installation**  
Convenient connection set for water, waste water and power; the built-in wash water pump allows for a drain height up to 700 mm.



**The perfect height: 440 mm useful pass-through height**  
No problem with Euro trays, high dishware parts, high glasses, etc.

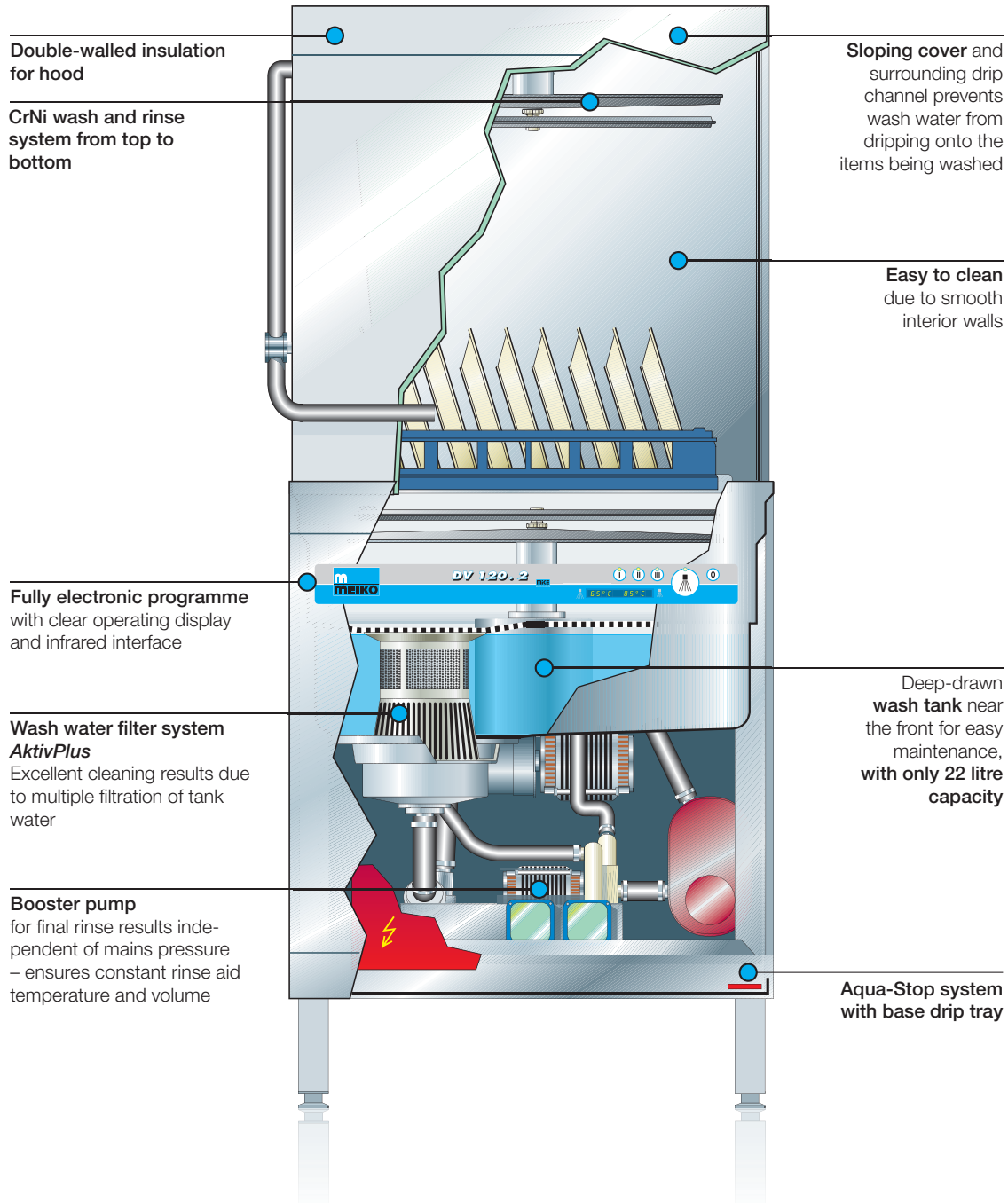
- Rinse aid dosing unit
- 150 mm clearance
- Hood opened in rear prevents steam from disturbing work
- Temperature-dependent wash time extension, hygiene ensured under all operation conditions.
- Tank contents 22 litres, quickly ready to use, low operating costs, fast tank regeneration.
- Effective final rinse system, only 2.6 litres of water used per rinse cycle.
- CrNi switch box
- Customer-oriented service: ideal accessibility, clear installation, highly reliable (protection class IP X5) with premium service and customer service from MEIKO.
- Certified quality.

**Upon request we can also deliver you built-in water treatment technology of the highest quality.**

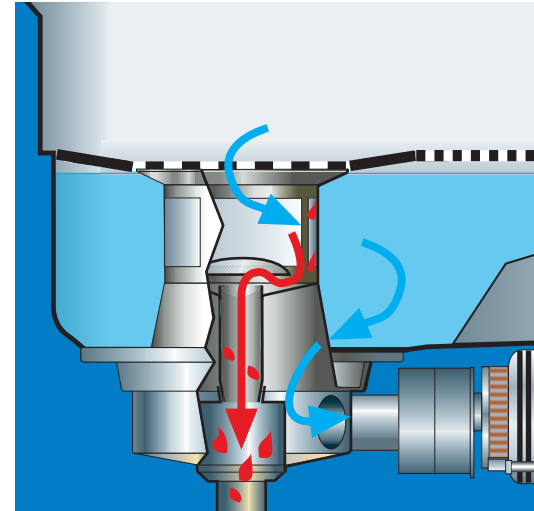
# DV 80.2 / DV 120.2

## A host of features under the hood

All of the benefits of MEIKO washing technology at a glance



### The MEIKO wash water filter system *AktivPlus*



Excellent cleaning results due to multiple filtration of the tank water.

### Water changing programme (optional)

By the touch of a button you can change the water in the tank in order to continue rinsing with fresh, new water immediately afterward. Fully automatic and uncomplicated – for the best and most hygienic rinsing

### Aqua-Stop system with base drip tray



High operational reliability due to automatic leakage water monitoring, optimal protection of all built-in parts.

### EWS – how MEIKO saves more water and energy



#### EWS - for top-class, economical and ecological washing results.

EWS is the consistent implementation of the greatest level of washing convenience in terms of hygiene and ecology. With the superior MEIKO wash water fine filter system *AktivPlus* it provides for an unprecedented “purity” of the washing solution. The glistening result: superb cleanliness with extreme savings (only 2.6 litres of fresh water per rinse cycle are required).

### ADT – washing with the right doses (DV 80.2)



- No wearing parts
- Reliable in the long term
  - Consistent cleaning results
  - Long-lasting, reliable machine
- Automatic quick venting, e.g. after container change
- Visual function monitoring
- Self-priming (up to 0.6 m height difference)
- No heating of the cleaner
- Automatic empty level detection, which means no additional probe is required in the tank.

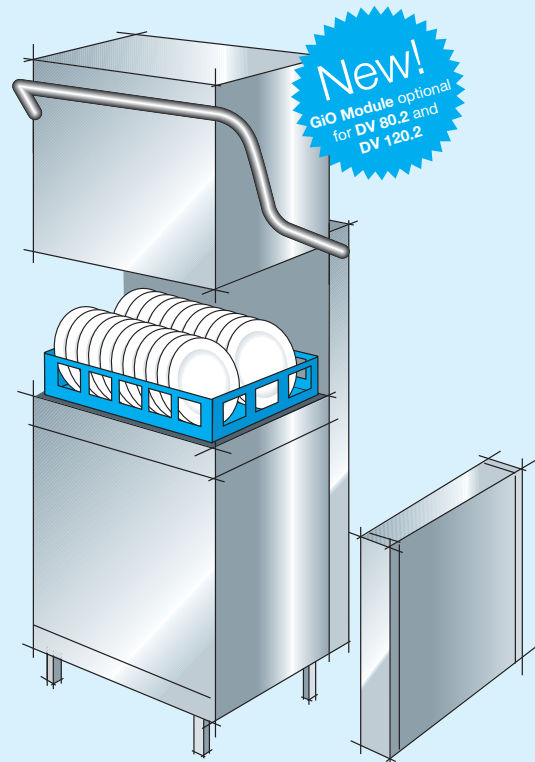
# Highlights of the MEIKO washing technology



**Clean and perfect. The MEIKO GiO MODUL – the reverse osmosis system for top-class water treatment.**

The revolutionary *GiO MODUL* achieves purity levels of approx. 98% desalinated water with its reverse osmosis technology. It economically and ecologically ensures sparkling clean and hygienically flawless washing results.

- Ultra-compact dimensions
- With complete connection set
- Completely integrated into the control unit of the dishwashing machine



**New!**  
GiO Module optional for DV 80.2 and DV 120.2



near the machines or e.g. in another room

## AirBox AktivAir

**For more convenience in the wash-up area:**

- Central exhaust treatment
- Significant reduction in exhaust
- No exhaust nuisance for cleaning staff
- Integrated condensate drain
- Controlled start-up of extraction via cleaning programme
- Time controlled fan delay
- No filter and maintenance free
- Can be retrofitted
- Optional



# Well set up thanks to MEIKO



## Layout and feeding to measure

Whether an in-line pass-through or a space-saving corner model, the ideal construction of MEIKO pass-through machines facilitates an almost unlimited range of layout options. In order to provide the most effective dishwashing system, we have a comprehensive table programme comprising numerous further

table designs, from the simple sliding table to a complete dish-clearing station with integrated glasswasher.

**We would be glad to provide you with convenient and economical recommendations specially tailored to your wash-up area.**



**Clearing and pass-through:**  
All of that is possible in one washing cycle with MEIKO technology

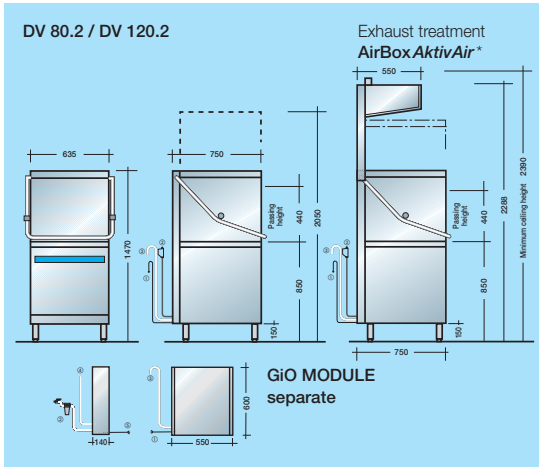


**Pass-through success:** the classic in-line system



**The corner system:** saves a lot of space

# Technical data



	DV 80.2	DV 120.2
<b>Basket dimensions</b> (mm)	500 x 500	
<b>Theoretical basket capacity</b> (up to baskets/hour)*	60/40/17	
<b>Plate capacity</b> (plates/hour)	1,080	
<b>Glass capacity</b> (glasses/hour)	2,160	–
<b>Pump motor</b> (kW)	0.75	1.5
<b>Tank capacity</b> (litres)	22	
<b>Final rinse</b> (litres/basket)	2.6	
<b>Tank heating</b> (kW)	1.3	
<b>Rinse boiler for</b>		
45°C inlet temperature (kW)	7.5	
10°C inlet temperature (kW)	9.0	
<b>Total connected load</b>		
45°C inlet temperature (kW)	9.7	10.4
10°C inlet temperature (kW)	11.2	11.9

## Available wash cycles: DV 80.2

Short programme = 60 seconds  
 Normal programme = 90 seconds  
 Intensive programme = 210 seconds

## Available wash cycles: DV 120.2

Gentle wash = 60 seconds (power level I)  
 Intensive wash = 90 seconds (power level II)  
 Power wash = 210 seconds (power level III)

For connection to cold water and/or short basket exchange times, the wash cycles may increase to achieve hygienic final rinse temperatures.

The programme cycles extend within the water changing programme.

\* The options automatic hood and AirBox AktivAir can not be combined.

The VDI 2052 must be taken into account for the layout of the wash-up area ventilation.

## Electrical installation:

Electrical connection: ① 3-phase NPE, 400 V, 50 Hz.

With integrated AktivClean water softener (option), total supply increases by 0.25 kW, with AirBox AktivAir (option) by 0.4 kW.

Circuit complies with the requirements of the VDE (German Association of Electrical Engineers).

## Water installation:

The machines can be connected directly to the fresh water supply without the use of intermediate safety fixtures ②. Flow pressure should be between 0.6 and 5 bar. Installation requirements of EN 1717 are to be observed. ¾" drain. Wall-mounted, on-site drain should be max. 700 mm high ③. Length of connection cables from the machine is approx. 1.4 m.

## GiO MODULES (all models):

Cold water min. 1°C - max. 25°C.

Flow pressure should be between 1 and 5 bar.

Conductivity of raw water <1000 µS/cm. Total water hardness max. 28°dH (German hardness).

Including connection kit: check valve, pressure regulating valve, filter 10 µm including activated carbon, safety equipment "HD" (backflow preventer and pipe aerator). Installation requirements of EN 1717 must be observed.

Connection length approx. 3 m. Connection kit of the appliance with reinforced hose (without AquaStop).

Concentrate drain ½" ④, length approx. 2 m. Permeate and electrical cables between machine and separate GiO MODULE approx. 3 m ⑤.

(1 bar = 100 kPa) (1°dH approx. 0.18 mmol/l CaCO<sub>3</sub>)



In accordance with the hygiene requirements of DIN 10511-H for commercial glasswashing and DIN 10512 for commercial dishwashing.

## MEIKOLON

MEIKO recommends brand name cleaning products from reputable manufacturers. MEIKOLON cleaning and hygiene products are an excellent choice.

