

Evolution

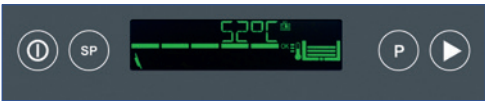
undercounter

DISHWASHERS



Evolution 535 WS

Maidaid Evolution 535 WS Features

- **2 year warranty**
 - Polychromatic LCD display and user interface giving uncomplicated machine status updates
- 
- Four button control fascia with special programmes button, operational self-diagnostics & alarms menu
 - Internal continuous water softener as standard
 - Quick release parallel wash & rinse arm design
 - Stainless steel scrap tray filters as standard
 - Triple wash tank filtration
 - Drain pump & breaktank as standard
 - Three standard cycle time options with extensive range of special cycles
 - Cycle times can be tailored to site requirements
 - Comprehensive automatic self-cleaning at end of service
 - Selectable energy saving mode
 - Selectable thermostat ensures optimum rinse temperatures
 - Fully double skinned minimising both acoustic output and reduced heat loss
 - Patented dual flow wash pump with soft start – reducing power consumption whilst retaining wash efficiency
 - Full door seal and door ajar facility
 - Moulded wash tank for easy cleaning
 - Moulded rack guide
 - Accurate detergent and rinse aid peristaltic dosing pumps as standard
 - Priming and dosing of chemicals enabled from fascia controls



Supplied with two open cup/glass racks (capable of holding 25 pint glasses).

Additional racks can be purchased



Distributor:
KiD Catering Equipment, Oaktree Court Business Centre, Mill Lane, Ness, Cheshire, CH64 8TP
Tel: 0333 123 2450
sales@kidcateringequipment.com

Evolution

undercounter

DISHWASHERS

Evolution 535 ws



Technical Data

Dimensions (W x D x H)	mm	600 x 630 x 810 + Feet
Feet height	mm	10-20
Rack size	mm	500 x 500
Maximum useable height	mm	365
Door opening	mm	390
Theoretical productivity	Racks/h	40
Effective productivity	Racks/h	30*

Wash tank element	kW	2.1
Boiler element	kW	6
Wash pump	kW	0.47
Tank capacity	L	15
Noise emission	dB	≤ 55

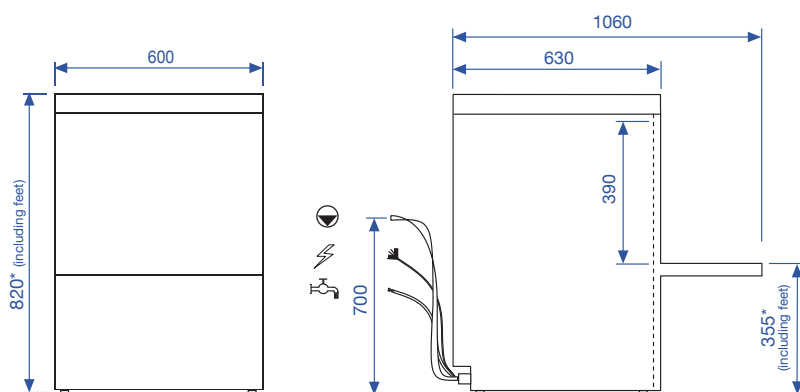
Packaging Specs

Gross weight	Kg	66
Cubic volume	m³	0.45
Dim. (W x D x H)	mm	670 x 690 x 880

*Allowing 30 seconds for reloading
Cycle times may vary depending on local conditions/services

Installation Diagram – All services must be within 1 meter

Power Supply



Installed power	AMP	kW
230V – 50Hz – 1N	13	2.6
	20	4.5
	30*	6.5
Optional 3 Phase config	Total load 6.5kW	
Fused	16 amp	

*Standard configuration

Pumped waste into upstand, maximum height 700mm

Power
 Water supply 2 – 4 bar

*Height-adjustable feet + 10mm

Water Connection

Inlet water pressure	Bar	2 to 4
Flow rate L/Min	L/Min	6
Water inlet temp	°C	10 to 50
Water connection	BSP	¾"
Waste connection	Ø	Int 19/ext 24

Cycle Information

Number of standard cycles	3	
Standard cycles times	Sec	90/120/150 – adjustable
Special cycle	ProEco, ProGlass, ProLong, ProNew, ProActive, ProSteel, ProSan	
Self-cleaning cycle	Full self clean	
Water consumption per cycle	L	1.8
Wash temperature	°C	60 – adjustable
Rinse temperature	°C	65 – adjustable

Distributor:

KID Catering Equipment, Oaktree Court Business Centre, Mill Lane, Ness, Cheshire, CH64 8TP
Tel: 0333 123 2450 sales@kidcateringequipment.com