

# C Range

## undercounter

### TRAY/DISHWASHER



## C652

### Maidaid C652 Features

- **2 year warranty**
- Four button bright LED display with soft touch controls, twin traffic lights giving instant status updates & operational self-diagnostics



- Alarms menu with hi-information retrieval
- Quick release triple wash & rinse arm design
- Stainless steel surface scrap tray filters supplied as standard
- Drain pump & breaktank as standard
- Substantial usable height of 375mm to cater for large washware
- Three standard cycle time options with further options available
- Cycle times can be tailored to site requirements
- Automatic self-cleaning at end of service
- Selectable energy saving mode
- Selectable thermostat ensures optimum rinse temperatures
- Patented dual flow wash pump – reducing power whilst retaining wash efficiency
- Moulded wash tank for easy cleaning
- Moulded rack guide giving partial double skin
- Accurate detergent & rinse aid peristaltic dosing pumps as standard
- Compatible with 500 x 500 racks



Supplied with one 500 x 600 pegged rack & one 500 x 500 open rack.

Additional racks can be purchased



**Distributor:**  
**KiD Catering Equipment, Oaktree Court Business Centre, Mill Lane, Ness, Cheshire, CH64 8TP**  
**Tel: 0333 123 2450**  
**sales@kidcateringequipment.com**

# C Range undercounter TRAY/DISHWASHER

## C652



### Technical Data

Dimensions (W x D x H)	mm	580 x 700 x 1100 + Feet
Feet height	mm	135-195
Rack size	mm	500 x 600
Maximum useable height	mm	375
Door opening	mm	405
Theoretical productivity	Racks/h	40
Effective productivity	Racks/h	30*

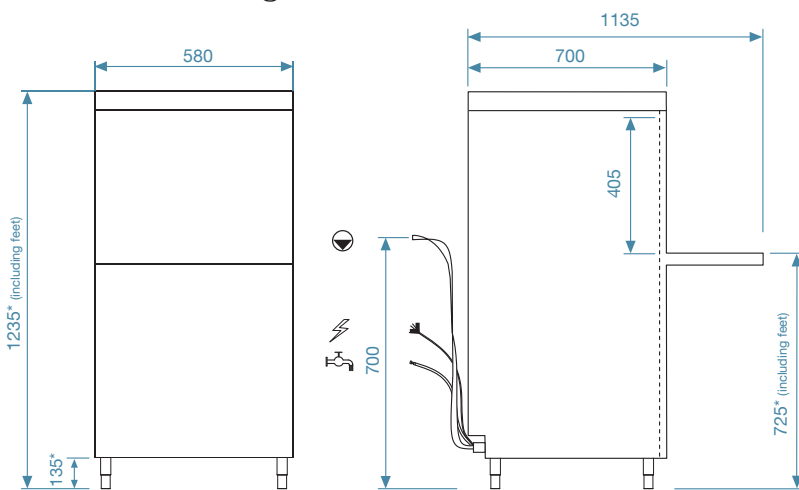
Wash tank element	kW	2.1
Boiler element	kW	6
Wash pump	kW	0.61
Tank capacity	L	23
Noise emission	dB	≤ 55

### Packaging Specs

Gross weight	Kg	76
Cubic volume	m <sup>3</sup>	0.65
Dim. (W x D x H)	mm	670 x 780 x 1250

\*Allowing 30 seconds for reloading  
Cycle times may vary depending on local conditions/services

### Installation Diagram – All services must be within 1 meter



\*Height-adjustable feet + 60mm

### Power Supply

Installed power	AMP	kW
230V – 50Hz – 1N	13	2.8
	20	4.7
	30*	6.7
Optional 3 Phase config	Total load 6.7kW	
Fused	16 amp	

\*Standard configuration

Pumped waste into upstand, maximum height 700mm

Power

Water supply 2 – 4 bar

### Water Connection

Inlet water pressure	Bar	2 to 4
Flow rate L/Min	L/Min	6
Water inlet temp	°C	10 to 50
Water connection	BSP	¾"
Waste connection	Ø	Int 19/ext 24

### Cycle Information

Number of standard cycles		3
Standard cycles times	Sec	90/120/150 – adjustable
Special cycle		Long, Glass, Eco
Self-cleaning cycle		Full self clean
Water consumption per cycle	L	2.5
Wash temperature	°C	60 – adjustable
Rinse temperature	°C	82 – adjustable

#### Distributor:

KiD Catering Equipment, Oaktree Court Business Centre, Mill Lane, Ness, Cheshire, CH64 8TP  
Tel: 0333 123 2450  
sales@kidcateringequipment.com