

C Range

undercounter

GLASSWASHER



C352D

Maidaid C352D Features

- **2 year warranty**
- Four button bright LED display with soft touch controls, twin traffic lights giving instant status updates & operational self-diagnostics



- Alarms menu with hi-level information retrieval
- Quick release parallel wash & rinse arm design
- Surface scrap trays as standard
- Three standard cycle time options with further options available
- Cycle times can be tailored to site requirements
- Automatic self-cleaning at end of service
- Selectable energy saving mode
- Selectable thermostop ensures optimum rinse temperatures
- Moulded wash tank for easy cleaning
- Moulded rack guide giving partial double skin
- Detergent pump as standard
- Accurate detergent and rinse aid dosing pumps as standard

Gravity drain version available: **C352**



Two 350 x 350mm open cup/glass racks supplied as standard – capable of holding 10 pint glasses.

Additional racks can be purchased



Distributor:

KiD Catering Equipment, Oaktree Court Business Centre, Mill Lane, Ness, Cheshire, CH64 8TP
Tel: 0333 123 2450
sales@kidcateringequipment.com

C Range undercounter GLASSWASHER

C352D



Technical Data

Dimensions (W x D x H)	mm	400 x 495 x 590
	+ Feet	
Feet height	mm	5-15
Rack size	mm	350 x 350
Maximum useable height	mm	240
Door opening	mm	260
Theoretical productivity	Racks/h	40
Effective productivity	Racks/h	30*

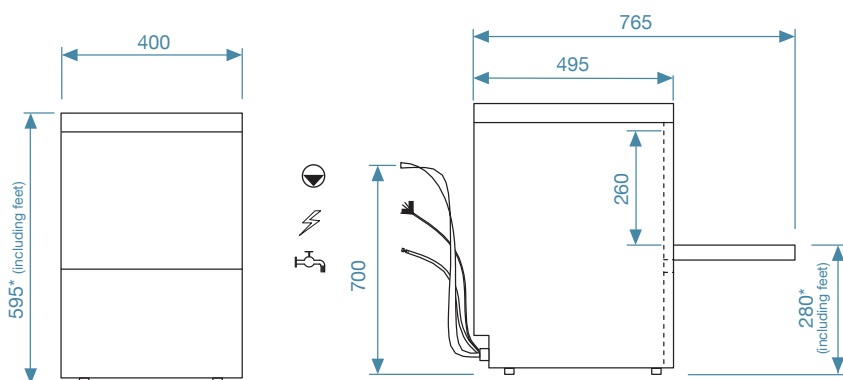
Wash tank element	kW	1.4
Boiler element	kW	2.6
Wash pump	kW	0.18
Tank capacity	L	9
Noise emission	dB	≤ 55

Packaging Specs

Gross weight	Kg	31
Cubic volume	m ³	0.25
Dim. (W x D x H)	mm	470 x 590 x 750

*Allowing 30 seconds for reloading
Cycle times may vary depending on local conditions/services

Installation Diagram – All services must be within 1 meter



*Height-adjustable feet + 10mm

Power Supply

Installed power	AMP	kW
230V – 50Hz – 1N	13*	2.8

*Supplied with 13A moulded plug and lead

Pumped waste into upstand, maximum height 700mm

Power
 Water supply 2 – 4 bar

Water Connection

Inlet water pressure	Bar	2 to 4
Flow rate L/Min	L/Min	6
Water inlet temp	°C	10 to 50
Water connection	BSP	¾"
Waste connection	Ø	Int 16.8/ext 21.6

Cycle Information

Number of standard cycles		3
Standard cycles times	Sec	90/120/150 – adjustable
Special cycle		Plate
Self-cleaning cycle		Partial self drain
Water consumption per cycle	L	1.9
Wash temperature	°C	60 – adjustable
Rinse temperature	°C	65 – adjustable

Distributor:

KiD Catering Equipment, Oaktree Court Business Centre, Mill Lane, Ness, Cheshire, CH64 8TP
Tel: 0333 123 2450
sales@kidcateringequipment.com