



## PHER01/SPH - Lincat Phoenix Electric Free-standing Induction Oven Range - 6-Zone - W 900 mm - 13.0 kW [1-Phase]

This powerful six-zone induction electric oven range has the ability to cook large volumes of quality food efficiently, making it the ultimate solution for pubs, care homes and community centres.

- ✓ Six 1.85kW zones. When you need intense heat to get you cooking, zones can be boosted to 3kW for up to 10 minutes. Power to the other zones will drop during the boost period.
- ✓ Incredible efficiency, reducing running costs and providing a more comfortable kitchen environment
- ✓ Easy to clean heavy duty 6mm thick, high impact resistant, glass ceramic surface
- ✓ Large 6 x GN1/1 capacity twin fan assisted oven, enabling six different foods to be cooked simultaneously
- ✓ Highly insulated oven, reducing heat loss and ensuring a more consistent temperature

### Specifications

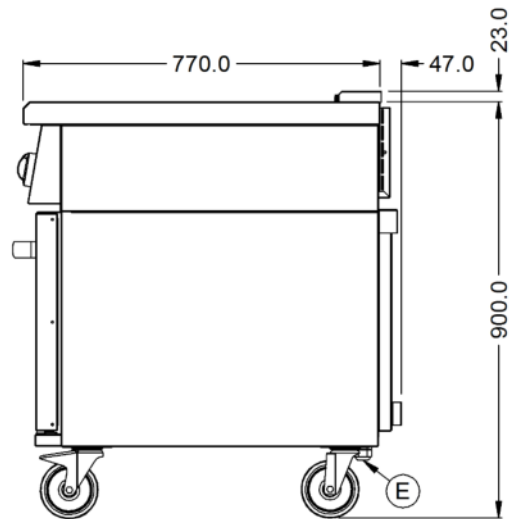
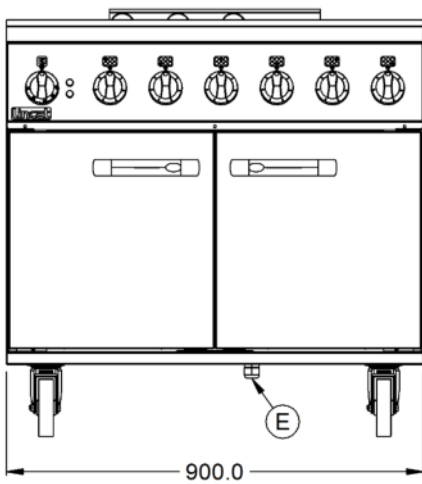
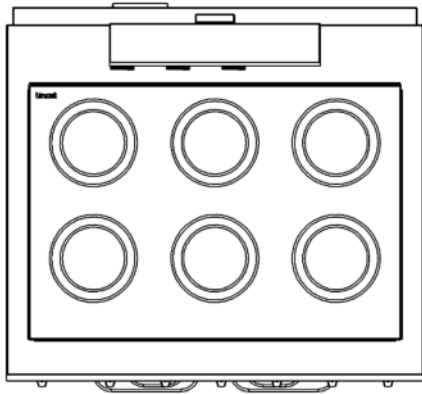
Summary		Power and Performance	
<b>Brand</b>	Lincat	<b>Total Power kW</b>	13.0
<b>Range</b>	Phoenix	<b>Temperature Range °C</b>	50-250
<b>Power Type</b>	Electric	<b>IP Rating</b>	IP24
<b>Unit Type</b>	Free-standing	<b>Cooking Area (Width x Depth) mm</b>	190 dia. x 6
<b>Available in UK Only</b>	No	<b>Temperature Control</b>	Mechanical
<b>UK Warranty</b>	2 Years Parts and Labour Warranty	<b>Rating per Hob kW</b>	1.5
<b>Export Warranty</b>	Contact your local dealer	<b>Oven Rating kW</b>	4.0
<b>GTIN</b>	5056105116417		

Key Specifications		Capacity	
<b>Number of Shelves included</b>	3	<b>Gastronorm Capacity</b>	6 x GN1/1
<b>Number of Shelf Positions</b>	5		
<b>Number of Hobs</b>	6		
<b>Shape of Hob</b>	Round		

Weights and Dimensions		Supply Connections	
<b>Unit Height (External) mm</b>	923	<b>Requires Installation</b>	Yes
<b>Unit Width (External) mm</b>	900	<b>Requires Electrical Supply</b>	Yes
<b>Unit Depth (External) mm</b>	817	<b>UK 3 Pin Plug</b>	No
<b>Height (Internal) mm</b>	410	<b>Requires Hardwiring</b>	Yes
<b>Width (Internal) mm</b>	725	<b>Electrical Supply Rating Watts</b>	13,000
<b>Depth (Internal) mm</b>	512	<b>Single Phase Amps</b>	56.5 [1 supp.]; 30.4/26.1 [2 supp.]
<b>Shelf Dimensions Width mm</b>	706	<b>Single Phase Voltage</b>	230
<b>Shelf Dimensions Depth mm</b>	512		
<b>Hob Dimensions mm</b>	190		
<b>Net Weight Kg</b>	125		

Shipping	
<b>Packed Weight Kg</b>	137.5
<b>Packed Height cm</b>	106
<b>Packed Width cm</b>	100
<b>Packed Depth cm</b>	85

Technical Picture



Distributor:  
 KiD Catering Equipment, Oaktree Court Business Centre, Mill Lane, Ness, Cheshire, CH64 8TP  
 Tel: 0333 123 2450 [sales@kidcateringequipment.com](mailto:sales@kidcateringequipment.com)