

Combi Steamer

Project _____
 Item _____
 Quantity _____
 FCSI section _____
 Approval _____
 Date _____

Model

Convotherm 4 easyTouch

- easyTouch
- 20 Shelves GN 2/1
- Electric
- Boiler
- Disappearing door



Essential Features

- ACS+ (Advanced Closed System +) operating modes: Steam, Combi-steam, Convection
- ACS+ Extra Functions:
 - Crisp&Tasty - 5 moisture-removal settings
 - BakePro - 5 levels of traditional baking
 - HumidityPro - 5 humidity settings
 - Controllable fan - 5 speed settings
- easyTouch 9" full-touch screen
- ConvoClean+ fully automated cleaning system with eco, express and regular modes, including optional single-measure dispensing
- Ethernet / LAN interface
- HygienicCare
- USB port integrated in the control panel
- TriColor indicator ring - indicates the current operating status
- Steam generated by high-performance boiler outside the cooking chamber
- Disappearing door: more space and greater safety at work

Standard Equipment

- ACS+ operating modes:
 - Steam (30-130°C) with guaranteed steam saturation
 - Combi-steam (30-250°C) with automatic humidity adjustment
 - Convection (30-250°C) with optimized heat transfer
- HygienicCare: safety through antibacterial surfaces
 - easyTouch control panel
 - Door handle and recoil hand shower
- easyTouch user interface:
 - Full 9" full-touch screen
 - Press&Go - automatic cooking using quick-select buttons
 - TrayTimer - load management for different products at the same time
 - Regenerate+ - versatile regenerating function with preselect
 - ecoCooking - energy-save function
 - Low-temperature cooking / Delta-T cooking
 - Cook&Hold - cooking and holding in one process
 - 399 cooking profiles containing up to 20 steps
 - On-screen Help with topic-based video function
 - Starting time preselect
- Multi-point core temperature sensor
- Door handle with safety latch
- Built-in preheat bridge
- RS232 and RS485 interface
- Data storage for HACCP and pasteurization figures
- Preheat and Cool down function

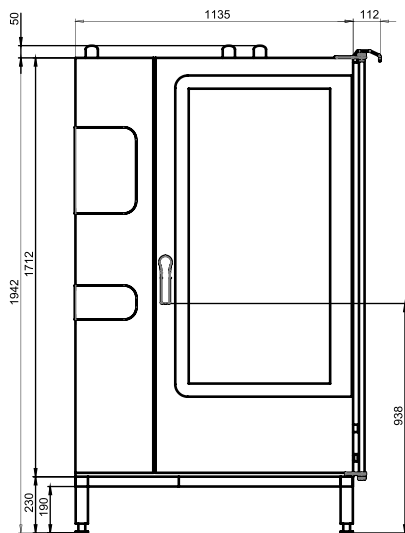
Options

- Steam and vapour removal (built-in condensation hood)
- Ship model
- Available in various voltages
- Sous-vide sensor, with external socket
- Core temperature sensor, with external socket

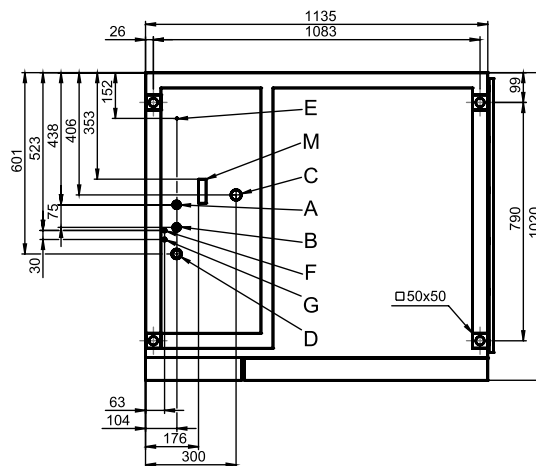
Accessories

- ConvoLink HACCP and cooking-profile management PC software
- ConvoVent 4 / ConvoVent 4+ condensation hoods
- Signal tower - indicates the current operating status at a distance
- Banquet system (optionally as a package or individually)
 - Plate loading trolley
 - Loading trolley
 - Thermal cover
- Care products

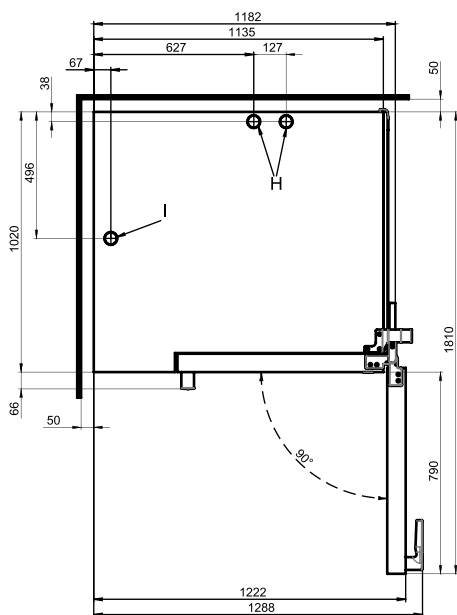
Front view



Connection positions in appliance floor



View from above with wall clearances



- A Soft-water connection G 3/4"
- B Hard-water connection G 3/4"
- C Drain connection DN 50
- D Electrical supply
- E Equipotential bonding
- F Nozzle-detergent connection
- G Cleaning-fluid connection
- H Air vent Ø 50 mm
- I Ventilation port Ø 50 mm
- M Safety overflow 80 mm x 25 mm

Dimensions and weights

Dimensions including packaging	
Width	1435 mm
Depth	1200 mm
Height	2185 mm

Weight including packaging	
Including cleaning system	401 kg

Safety clearances*	
Rear	50 mm
Right-hand side (disappearing door open at 90° angle)	100 mm
Right-hand side (disappearing door retracted)	160 mm
Left (larger gap recommended for servicing)	50 mm
Top (for ventilation)	500 mm

Installation instructions

Tilt	
Absolute tilt of appliance in operation*	max. 2° (3.4%)

*Adjustable appliance feet included as standard to compensate for any differences in level across the mounting surface.

*Heat sources must lie at a minimum distance of 50 cm from the appliance.

Loading capacity

Max. number of food containers

GN 1/1 (with standard loading trolley)	40
GN 2/1 (with standard loading trolley)	20
Plates max. Ø 32 cm, Ring spacing 66 mm	122
Plates max. Ø 32 cm, Ring spacing 79 mm	98

Maximum loading weight

GN 1/1 / 600 x 400	
Per combi steamer	180 kg
Per shelf	15 kg

Electrical supply

3N~ 400V 50/60Hz (3/N/PE)*

Rated power consumption	67.3 kW
Rated current	97.3 A
Fuse	100 A
RCD (GFCI), frequency converter (single phase)	Type A (recommended), type B/F (optional)
Recommended conductor cross-section**	5G35

3~ 230V 50/60Hz (3/PE)*

Rated power consumption	66.4 kW
Rated current	166.9 A
Fuse	200 A
RCD (GFCI), frequency converter (single phase)	Type A (recommended), type B/F (optional)
Recommended conductor cross-section**	4G70

3~ 200V 50/60Hz (3/PE)*

Rated power consumption	66.4 kW
Rated current	191,9 A
Fuse	200 A
RCD (GFCI), frequency converter (single phase)	Type A (recommended), type B/F (optional)
Recommended conductor cross-section**	4G95

*Connection to an energy optimization system as standard.

**Recommended conductor cross-section for wires laid uncovered in air up to 5 m in length.

Water connection

Water supply

Water supply	2 x G 3/4" permanent connection, optionally including connecting pipe (min. DN13 / 1/2")
Flow pressure	150 - 600 kPa (1.5 - 6 bar)

Appliance drain

Drain version	Permanent connection (recommended) or open tank or channel/gully
Type	DN50 (min. internal Ø: 46 mm)
Slope for waste-water pipe	min. 5% (3°)

Water quality

Water quality	Drinking water
Total hardness	
Cleaning, recoil hand shower, boiler	4 - 20 °dh / 70 - 360 ppm / 7 - 35 °TH / 5 - 25 °e
Properties	
pH	6.5 - 8.5
Cl ⁻ (chloride)	max. 100 mg/l
Cl ₂ (free chlorine)	max. 0.2 mg/l
SO ₄ ²⁻ (sulphate)	max. 150 mg/l
Fe (iron)	max. 0.1 mg/l
Temperature	max. 40 °C
Electrical conductivity	min. 20 µS/cm

Water consumption

Cooking (total)	
Ø consumption	13.4 l/h
Max. water flow rate	15 l/min

Emissions**Heat output**

Latent heat 11000 kJ/h / 3.06 kW

Sensible heat 14100 kJ/h / 3.92 kW

Waste water temperature max. 80 °C**Noise during operation** max. 70 dBA**Please observe the following points:**

- This document is to be used solely for planning purposes.
- Please refer to the Installation instructions for further technical data and guidance on installation and positioning.