

Technical data sheet for

P85M8 PROVER/HOLDING CABINET

Full Size 8 Tray Electric / Manual Prover/Holding Cabinet



P85M8

Unit shall be a Moffat electrically heated Turbofan Prover and Holding Cabinet. The prover and holding cabinet shall have double skin construction with stainless steel interior and exterior sides, front and top. Door shall be side hinged and field reversible. Unit shall have capacity for 8 18" x 30" trays, or 8 16" x 29" trays with optional 16" rack set. A single speed fan shall gently and evenly circulate air around the cabinet. Cabinet shall be controlled by a mechanical thermostat and humidity via a control of the water tank. A thermometer shall indicate the cabinet temperature. Prover and holding cabinet shall be mounted on castors, with two rigid castors at rear and two swivel castors dual swivel and wheel lock and front. Prover and Holding cabinet shall operate independently or in combination with Moffat Turbofan model E35D or E35T Convection Ovens. Prover and Holding Cabinets shall be fitted with 13A cordsets. Unit shall be supplied in 100% recyclable shipping packaging.

STANDARD FEATURES

- Dual function Prover and Holding Cabinet
- Designed for individual use or system installed with Turbofan E35D and E35T Convection Ovens
- 8 457mm x 762mm / 18" x 30" tray capacity
- 76mm tray spacing
- 910mm width
- 13A cordset fitted
- Full double skin construction
- Auto water fill system with optional integrated water filter kit
- Continuous door seal
- Side hinged door (standard LH hinge). Optional RH hinge (field convertible)
- Off / Proof / Hold mode selection
- Low velocity circulation fan system
- Mechanical thermostat
- Humidity level control
- Dual halogen cabinet interior lamps
- Cabinet temperature display thermometer
- 4 dia. 76mm castors with 2 front castors dual wheel and swivel lock, 2 rigid rear castors
- 100% recyclable packaging

OPTIONS

- 406mm x 736mm / 16" x 29" tray rack set for prover

ACCESSORIES

- Optional M236060 Core Temperature Probe Kit
- Optional 3M Cuno water filter kit complete with cartridge and connection fittings (Installs in pre-fitted rear housing of cabinet for flush rear installation)

P85M8 Full Size Manual / Electric Prover/Holding Cabinet

CONSTRUCTION

304 stainless steel interior cabinet
 Stainless steel front, sides and top exterior
 Stainless steel interior side racks
 Stainless steel frame side hinged door
 5mm thick door glass
 Stainless steel control panel
 Aluminised coated steel base and rear panels

CONTROLS

Off / Proof / Holding mode selector switch.
 Mechanical thermostat 20-85°C
 Air heating ON control panel indicator
 Humidity level control
 Humidity tank ON control panel indicator
 Cabinet temperature thermometer
 Auto-fill water system standard

CLEANING

Stainless steel top and side exterior panels
 Stainless steel interior chamber
 Easy access to all interior surfaces
 Fully removable stainless steel rack support
 Removable humidity water tank (no tools)

SPECIFICATIONS

Electrical Requirements

230-240V, 50Hz, 1 phase, 1.5kW, 6.2A
 13A cordset fitted

Water Requirements (optional)

Cold water connection ¾" BSP male
 80psi maximum inlet pressure / 20psi minimum inlet pressure

External Dimensions

Width 910mm
 Height 914mm including dia. 76mm castors
 Depth 880mm

Prover Internal Dimensions

Width 465mm
 Height 730mm
 Depth 795mm
 Volume 0.27m³

Nett Weight (P85M8)

93kg

Packing Data (P85M8)

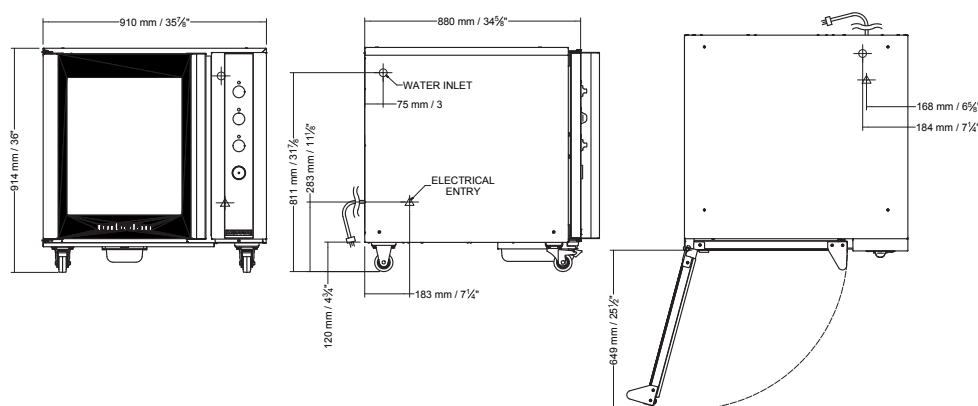
133kg
 1.05m³
 Width 950mm
 Height 1070mm
 Depth 1020mm

INSTALLATION CLEARANCES

Rear 25mm
 LH Side 25mm
 RH Side 25mm

CLEARANCE FROM SOURCES OF HEAT

A minimum distance of 300mm from the appliance sides is required



ISO9001
 Quality Management Standard

Designed and manufactured by



ISO9001

All Turbofan products are designed and manufactured by Moffat using the internationally recognised ISO9001 quality management system, covering design, manufacture and final inspection, ensuring consistent high quality at all times.

In line with policy to continually develop and improve its products, Moffat Limited reserves the right to change specifications and design without notice.



Distributor:

KiD Catering Equipment, Oaktree Court Business Centre, Mill Lane, Ness, Cheshire, CH64 8TP
 Tel: 0333 123 2450
sales@kidcateringequipment.com



© Copyright Moffat Ltd
 UK.TFN.S.1601