

CR6C

600mm Two Burner/Griddle Gas Range Static Oven



CR6C

Also Available



CR6B

CR6D

- 600mm wide
- 2 open burners
- 300mm griddle plate
- 5kW open burner rating
- Flame failure standard on open burners
- Cast iron burners and vitreous enamel potstands
- 1 griddle burner with pilot, flame failure and piezo ignition
- Griddle plate machine finished 12mm thickness
- High crown static oven
- 1/1 GN pan capacity
- Manual pilot ignition
- Side hinged door
- Vitreous enameled oven liner
- Adjustable front feet and rear rollers
- Stainless steel finish
- Fully modular

OVERALL CONSTRUCTION

Cooktop

- Cast iron open burner heads with vitreous enamelled cast iron caps
- Vitreous enamelled potstands
- Vitreous enamelled control panel
- 12mm machined surface mild steel griddle plate
- Stainless steel front, sides and splashback
- Griddle section standard on RH side only

Oven

- Vitreous enamelled oven liner
- GN 1/1 capacity with 4 position racking
- Supplied with two chrome plated oven racks
- Vitreous enamelled oven spill tray
- Stainless steel door and sides
- 63mm dia. stainless steel adjustable legs to front and two rollers at rear

CONTROLS

Cooktop

- Large easy use control knobs
- Variable high to low controls to open and griddle burners
- Flame failure standard on open burners
- Griddles standard with pilot, flame failure and piezo ignition

Oven

- 100-310°C thermostatic oven control
- Piezo ignition to oven pilot burner with flame failure

CLEANING AND SERVICING

- Easy clean stainless steel exterior
- Vitreous enamelled potstands and burner caps
- Lift off open burner caps and removable burners
- Stainless steel removable spill trays
- Stainless steel grease trays on griddle
- Access to all parts from front of unit

Matching Products



CF2

C9C

CR6C

C450

CT9

CP4

CS9 / C900-S

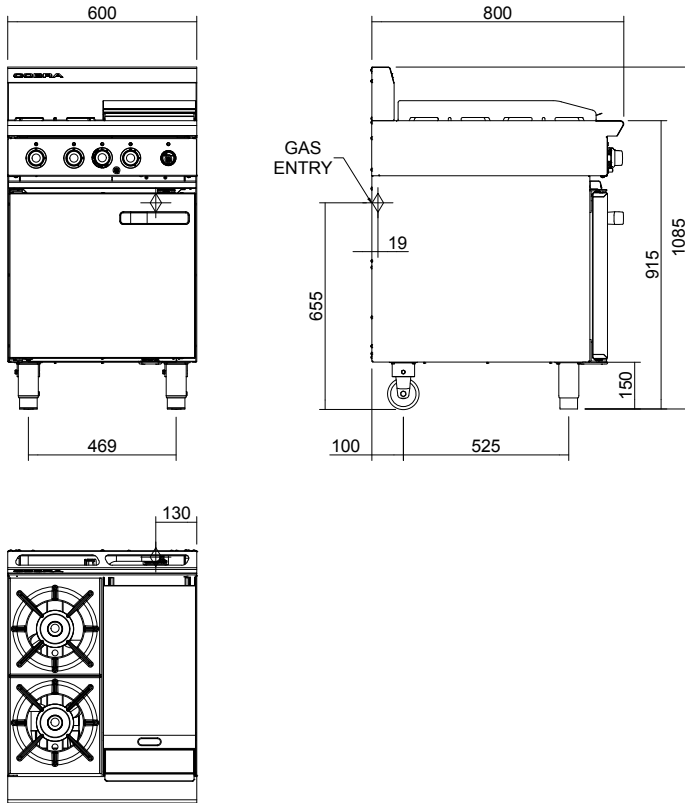
C6B

CT6

C300

CR6C

600mm Two Burner/Griddle Gas Range Static Oven



CR6C

SPECIFICATIONS

Burners

Open Burners;
Natural Gas
5.0kW each
Propane gas
4.6W each

Griddle Burners;

5.0kW per 300mm section

Oven;

Natural gas
6.5kW
Propane gas
6.0kW

Gas power

Natural gas
21.5kW (nett), 81,470 Btu/hr
(gross)

Propane gas

20.2kW (nett), 74,920 Btu/hr
(gross)

Gas flow rate

Natural gas 2.28m³/hr
Propane gas 1.58kg/hr

Oven dimensions

Width 460mm
Depth 615mm
Height 365mm

Rack size

450mm x 590mm
Rack positions 4

Gas connection

R 3/4 (BSP) male
130mm from RH side, 20mm
from
rear, and 655mm from floor

Dimensions

Width 600mm
Depth 800mm
Height 915mm
Incl. splashback 1085mm

Nett weight

105kg

Packing data

0.85m³, 136kg
Width 710mm
Depth 955mm
Height 1250mm

Gas types

Available in Natural gas and Propane
gas, please specify when ordering
Other gas types on request

Supplier:-

KiD Catering Equipment
Oaktree Court Business Centre,
Mill Lane, Ness, Cheshire, CH64 8TP

Sales@kidcateringequipment.com

www.kidcateringequipment.com



ISO9001
Quality
Management
Standard

Designed and manufactured by



ISO9001

All Cobra products are designed and manufactured by Moffat using the internationally recognised ISO9001 quality management system, covering design, manufacture and final inspection, ensuring consistent high quality at all times.

In line with policy to continually develop and improve its products, Moffat Limited reserves the right to change specifications and design without notice.



© Copyright Moffat Ltd
UK.C.01.19 / 1622

an Ali Group Company



The Spirit of Excellence