

## C9B-B

### 900mm Two Burner/Griddle Gas Cooktop Bench Model



C9B-B

- Countertop Bench Model
- 900mm wide
- 2 open burners
- 600mm griddle plate
- 5kW open burner rating
- Flame failure standard on open burners
- Optional pilot and flame failure on open burners
- Cast iron burners and vitreous enamel potstands
- 2 griddle burner with pilot, flame failure and piezo ignition
- Griddle plate machine finished 12mm thickness
- Adjustable bench feet
- Stainless steel finish

#### Also Available



C9A-B



C9C-B



C9D-B

#### OVERALL CONSTRUCTION

- Cast iron open burner heads with vitreous enamelled cast iron caps
- Vitreous enamelled potstands
- Vitreous enamelled control panel
- 12mm machined surface mild steel griddle plates
- Stainless steel front, sides and splashback
- Stainless steel spill tray
- Griddle section are standard on RH side only
- 63mm dia. stainless steel adjustable bench feet

#### CONTROLS

- Large easy use control knobs
- Variable high to low controls to open and griddle burners
- Flame failure standard on open burners
- Griddles standard with pilot, flame failure and piezo ignition

#### CLEANING AND SERVICING

- Easy clean stainless steel exterior
- Vitreous enamelled potstands and burner caps
- Lift off open burner caps and removable burners
- Removable spill trays
- Stainless steel grease trays on griddle
- Access to all parts from front of unit

#### Matching Products



CR9D



CR6C



CF2



C9C



C6D



C450



CP4



CS9 / C900-S



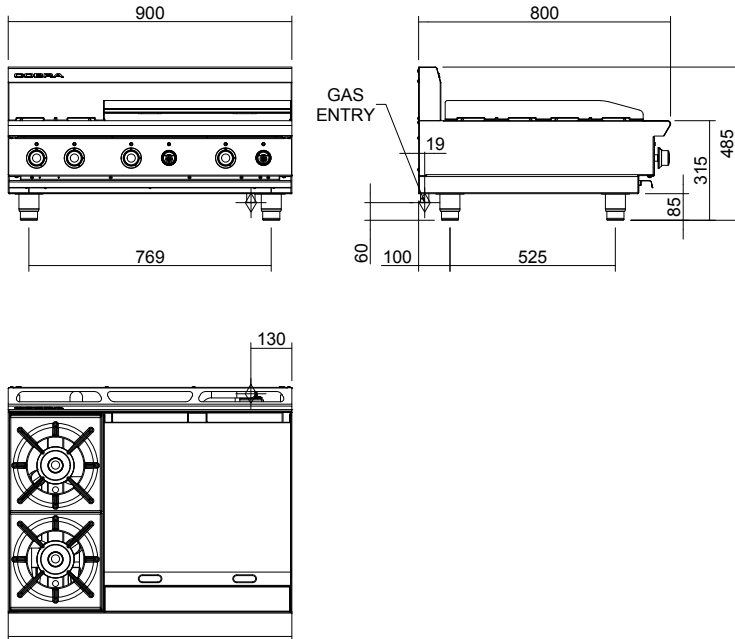
CT6



C300

## C9B-B

### 900mm Two Burner/Griddle Gas Cooktop Bench Model



C9B-B

#### SPECIFICATIONS

**Burners**  
Open Burners;  
Natural Gas  
5.0kW each  
Propane gas  
4.6kW each  
Griddle Burners;  
5.0kW per 300mm section

**Gas power**  
Natural gas  
20.0kW (nett), 75,790 Btu/hr (gross)  
Propane gas  
19.2kW (nett), 68,240 Btu/hr (gross)

**Gas flow rate**  
Natural gas 2.12m<sup>3</sup>/hr  
Propane gas 1.50kg/hr

**Gas connection**  
R 3/4 (BSP) male  
130mm from RH side, 20mm from rear, and 60mm from bench

**Dimensions**  
Width 900mm  
Depth 800mm  
Height 315mm  
Incl. splashback 485mm  
Nett weight  
71.5kg

**Packing data**  
0.72m<sup>3</sup>, 108kg  
Width 1010mm  
Depth 955mm  
Height 750mm

**Gas types**  
Available in Natural gas and Propane gas,  
please specify when ordering  
Other gas types on request

**Supplier:-**  
**KiD Catering Equipment**  
**Oaktree Court Business Centre**  
**Mill Lane, Ness, Cheshire, CH64 8TP**

[sales@kidcateringequipment.com](mailto:sales@kidcateringequipment.com)

Tel: 0333 123 2450

[www.kidcateringequipment.com](http://www.kidcateringequipment.com)



ISO9001  
Quality  
Management  
Standard

Designed and manufactured by



ISO9001

All Cobra products are designed and manufactured by Moffat using the internationally recognised ISO9001 quality management system, covering design, manufacture and final inspection, ensuring consistent high quality at all times.

In line with policy to continually develop and improve its products, Moffat Limited reserves the right to change specifications and design without notice.



© Copyright Moffat Ltd  
UK.C.01.19 / 1622

an Ali Group Company



The Spirit of Excellence