

## C6C

### 600mm Two Burner/Griddle Gas Cooktop



C6C

- 600mm wide
- 2 open burners
- 300mm griddle plate
- 5kW open burner rating
- Flame failure standard on open burners
- Cast iron burners and vitreous enamel potstands
- 1 griddle burner with pilot, flame failure and piezo ignition
- Griddle plate machine finished 12mm thickness
- Open cabinet base for extra storage
- Adjustable front feet and rear rollers
- Stainless steel finish
- Fully modular

#### Also Available



C6B

C6D

#### OVERALL CONSTRUCTION

- Cast iron open burner heads with vitreous enamelled cast iron caps
- Vitreous enamelled potstands
- Vitreous enamelled control panel
- 12mm machined surface mild steel griddle plate
- Stainless steel front, sides and splashback
- Stainless steel cabinet interior base
- Stainless steel spill tray
- Griddle sections are standard on RH side only
- 63mm dia. stainless steel adjustable legs to front and two rollers at rear

#### CONTROLS

- Large easy use control knobs
- Variable high to low controls to open and griddle burners
- Flame failure standard on open burners
- Griddles standard with pilot, flame failure and piezo ignition

#### CLEANING AND SERVICING

- Easy clean stainless steel exterior
- Vitreous enamelled potstands and burner caps
- Lift off open burner caps and removable burners
- Removable spill trays
- Stainless steel grease trays on griddle
- Access to all parts from front of unit

#### Matching Products



CR9D

CR6C

CF2

CR9A

CT6

C450

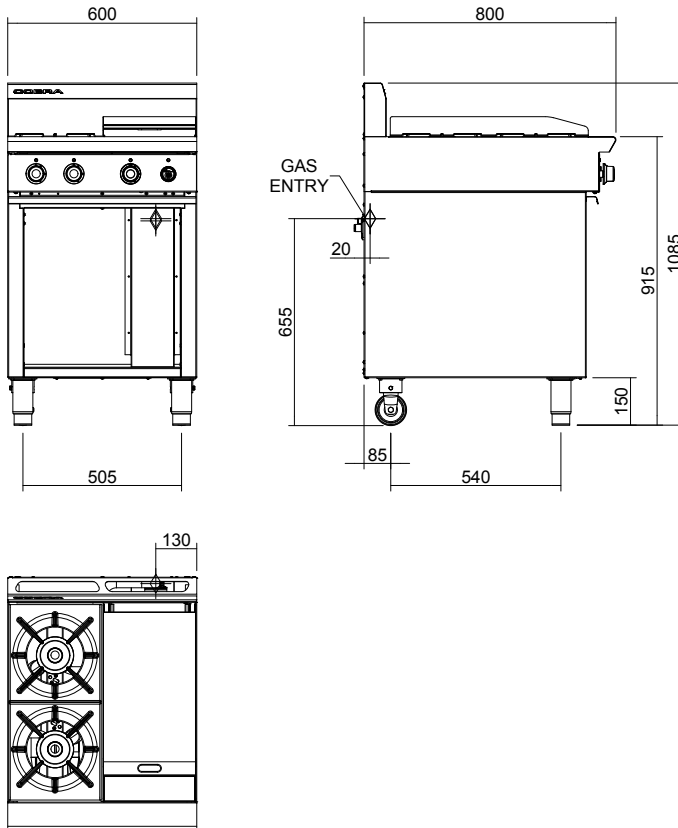
CP4

CS9 / C900-S

CT9

## C6C

### 600mm Two Burner/Griddle Gas Cooktop



C6C

#### SPECIFICATIONS

**Burners**  
Open Burners;  
Natural Gas  
5.0kW each  
Propane gas  
4.6kW each  
Griddle Burners;  
5.0kW per 300mm section  
**Gas power**  
Natural gas  
15.0kW (nett), 56,840 Btu/hr (gross)  
Propane gas  
14.2kW (nett), 52,660 Btu/hr (gross)  
**Gas flow rate**  
Natural gas 1.59m<sup>3</sup>/hr  
Propane gas 1.11kg/hr  
**Gas connection**  
R 3/4 (BSP) male  
130mm from RH side, 20mm from rear, and 655mm from floor

**Dimensions**  
Width 600mm  
Depth 800mm  
Height 915mm  
Incl. splashback 1085mm

**Nett weight**  
74kg

**Packing data**  
0.85m<sup>3</sup>, 105kg  
Width 710mm  
Depth 955mm  
Height 1250mm

**Gas types**  
Available in Natural gas and Propane gas,  
please specify when ordering  
Other gas types on request

**Supplier:-**  
**KiD Catering Equipment**  
Oaktree Court Business Centre, Mill Lane  
Ness, Cheshire, CH64 8TP

[sales@kidcateringequipment.com](mailto:sales@kidcateringequipment.com)

[www.kidcateringequipment.com](http://www.kidcateringequipment.com)

Tel: 0333 123 2450



ISO9001  
Quality  
Management  
Standard

Designed and manufactured by



ISO9001

All Cobra products are designed and manufactured by Moffat using the internationally recognised ISO9001 quality management system, covering design, manufacture and final inspection, ensuring consistent high quality at all times.

In line with policy to continually develop and improve its products, Moffat Limited reserves the right to change specifications and design without notice.



© Copyright Moffat Ltd  
UK.C.01.19 / 1622

an Ali Group Company



The Spirit of Excellence