

C6B-B

600mm Griddle Gas Cooktop Bench Model



C6B-B

- Countertop Bench Model
- 600mm wide
- 2 griddle burners with pilot, flame failure and piezo ignition
- Machine finished griddle plate 12mm thickness
- Adjustable bench feet
- Stainless steel finish

Also Available



C6C-B



C6D-B

OVERALL CONSTRUCTION

- 12mm machined surface mild steel griddle plate
- Stainless steel front, sides and splashback
- Vitreous enamelled control panel
- Stainless steel spill tray
- 63mm dia. stainless steel adjustable bench feet

CONTROLS

- Large easy use control knobs
- Variable high to low controls to griddle burners
- Standard with pilot, flame failure and piezo ignition

CLEANING AND SERVICING

- Easy clean stainless steel exterior
- Stainless steel grease trays
- Access to all parts from front of unit

Matching Products



CR9D



CR6C



CF2



C9C



C6D



C450



CP4



CS9 / C900-S



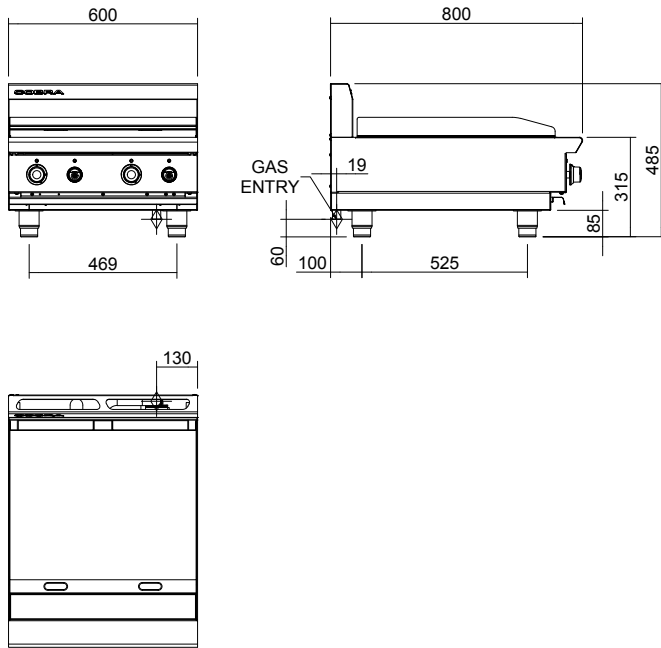
CT6



C300

C6B-B

600mm Griddle Gas Cooktop Bench Model



C6B-B

SPECIFICATIONS

<p>Burners Griddle Burners; 5.0kW per 300mm section</p> <p>Gas power Natural gas 10.0kW (nett), 37,890 Btu/hr (gross) Propane gas 10.0kW (nett), 37,090 Btu/hr (gross)</p> <p>Gas flow rate Natural gas 1.06m³/hr Propane gas 0.78kg/hr</p> <p>Gas connection R 3/4 (BSP) male 130mm from RH side, 20mm from rear, and 60mm from bench</p>	<p>Dimensions Width 600mm Depth 800mm Height 315mm Incl. splashback 485mm</p> <p>Nett weight 62.5kg</p> <p>Packing data 0.51m³, 90.5kg Width 710mm Depth 955mm Height 750mm</p> <p>Gas types Available in Natural gas and Propane gas, please specify when ordering Other gas types on request</p>
---	---

Supplier:-

KiD Catering Equipment
Oaktree Court Business Centre
Mill Lane, Ness, Cheshire, CH64 8TP

sales@kidcateringequipment.com

Tel: 0333 123 2450

www.kidcateringequipment.com



ISO9001
Quality
Management
Standard

Designed and manufactured by



ISO9001

All Cobra products are designed and manufactured by Moffat using the internationally recognised ISO9001 quality management system, covering design, manufacture and final inspection, ensuring consistent high quality at all times.

In line with policy to continually develop and improve its products, Moffat Limited reserves the right to change specifications and design without notice.



© Copyright Moffat Ltd
UK.C.01.19 / 1622

an Ali Group Company



The Spirit of Excellence