




Turbofan E85-8 and E85-12 Provers

-  Full view door
-  Variable heat control
-  Variable humidity control
-  Stainless steel outer
-  Stainless steel inner
-  Low velocity fan
-  Castors as standard
-  240V plug in connection
-  Door removes for cleaning
-  Optional auto fill



E85-8



E85-12



Turbofan E85-8 and E85-12

Provers

CONSTRUCTION

8 pan capacity (E85-8)
12 pan capacity (E85-12)
Stainless steel front and sides
Removable full view door
Strong and stylish handle
Stainless steel racking system
Fully insulated
Enamel control panel

CONTROLS

On/off switch
Mechanical thermostat
Variable heat 24°C to 40°C
Variable humidity

CLEANING AND SERVICING

Easy clean surfaces
Removable racking system
Removable water tank

OPTIONS

Auto water fill kit

SPECIFICATIONS

Electrical Requirements
220-240V, 50Hz, 1.65kW, 1P+N+E, 7.2A

Water (autofill option)
19mm (³/₄") BSP thread
80psi max inlet pressure
20psi min inlet pressure

E85-8

External Dimensions

Width 880mm
Height 902mm
Depth 880mm

Internal Dimensions

Width 460mm
Height 700mm
Depth 660mm

Nett Weight

93kg (205lbs)

Packing Data

154kg (340lbs)
1.06m³ (37.4ft³)
Width 970mm
Height 1090mm
Depth 1001mm

E85-12

External Dimensions

Width 880mm
Height 1145mm
Depth 880mm

Internal Dimensions

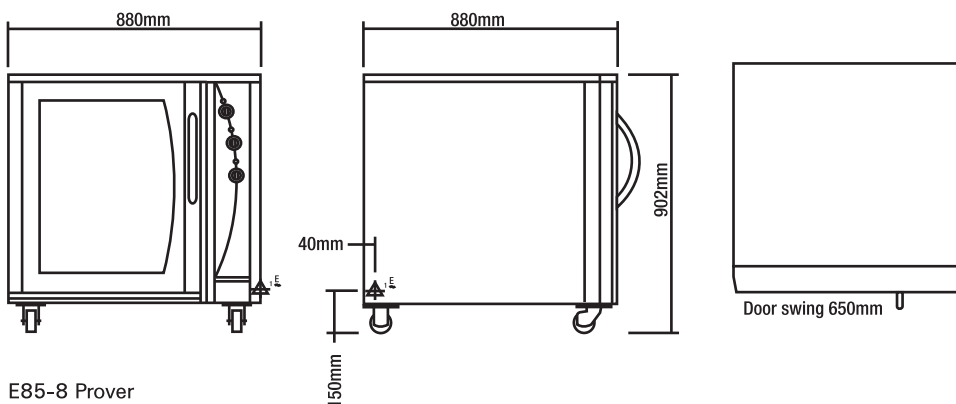
Width 460mm
Height 945mm
Depth 660mm

Nett Weight

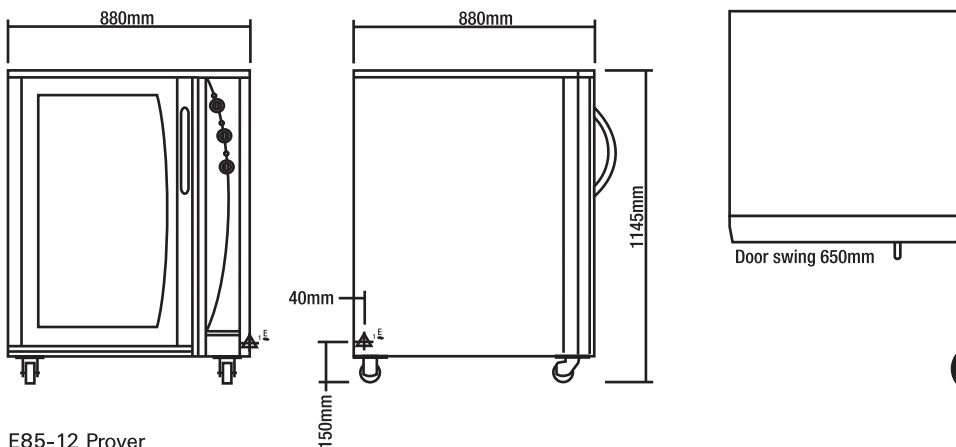
120kg (265lbs)

Packing Data

181kg (399lbs)
1.26m³ (44.5ft³)
Width 970mm
Height 1300mm
Depth 1001mm



E85-8 Prover



E85-12 Prover

BLUE SEAL

www.blue-seal.co.uk

United Kingdom
Blue Seal Limited
Unit 67
Gravelly Business Park
Gravelly
Birmingham B24 BTQ
England
Ph 0121-327 5575
Fax 0121-327 9711
Email sales@blue-seal.co.uk
www.blue-seal.co.uk

Australia
Moffat Pty Limited
740 Springvale Rd
Mulgrave
Victoria 3170
Australia
Ph 03-9518 3888
Fax 03-9518 3833
Email vsales@moffat.com.au
www.moffat.com.au

New Zealand
Moffat Limited
16 Osborne St
PO Box 10-001
Christchurch
New Zealand
Ph 03-389 1007
Fax 03-389 1276
Email sales@moffat.co.nz
www.moffat.co.nz

U.S.A
Moffat Inc
3765 Champion Boulevard
Winston-Salem
North Carolina 27105
United States of America
Call Free 1800 551 8795
Ph 336-661 0257
Fax 336-661 9546
Email sales@moffat.com
www.moffat.com



ISO 9001
All Turbofan products are designed and manufactured by Moffat Ltd using the internationally recognised ISO 9001 quality management system, covering design, manufacture and final inspection, ensuring consistent high quality at all times.

