

CT6

600mm Gas Griddle Toaster



CT6

- 600mm wide
- 2 x 5.5kW burners
- Flame failure protection with continuous pilot burner and piezo ignition
- 12mm thick griddle plate
- 5-position toasting rack
- Full width grease trough and removable collection tray
- Open cabinet base for extra storage
- Adjustable front feet and rear rollers
- Stainless steel finish

OVERALL CONSTRUCTION

- 12mm machined surface mild steel griddle plate
- Vitreous enamelled control panel
- Dual burners with individual pilot and flame failure
- Aluminised steel crumb tray
- Stainless steel exterior
- Chrome plated toasting rack and rack supports
- Two stainless steel grease trays
- 63mm dia. stainless steel adjustable legs to front and two rollers at rear

CONTROLS

- Large easy use control knobs
- Dual controls with variable high to low burner setting
- Flame failure pilot burners
- Piezo ignition to pilot burners

CLEANING AND SERVICING

- Removable grill rack system, rack supports and crumb tray
- Removable grease trays
- Easy clean stainless steel exterior
- Access to all parts from front of unit

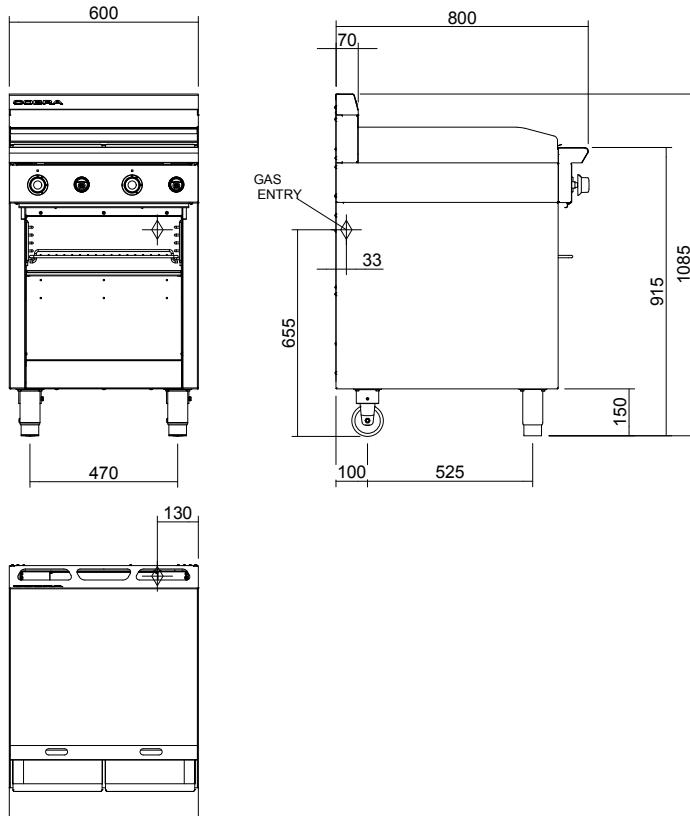
Distributor:
KiD Catering Equipment
Oaktree Court Business Centre
Mill Lane, Ness,
Cheshire
CH64 8TP
Tel: 0333 123 2450
sales@kidcateringequipment.com

Matching Products



CT6

600mm Gas Griddle Toaster



CT6

SPECIFICATIONS

Burners
2 x 5.5kW tubular
burners with grill radiants

Gas power
Natural gas
11.0kW (nett), 41,700 Btu/hr (gross)
Propane gas
11.0kW (nett), 40,800 Btu/hr (gross)

Gas flow rate
Natural gas 1.16m³/hr
Propane gas 0.85kg/hr

Cooking surface
590mm x 520mm, 3068cm²

Toaster dimensions
Rack size 430mm x 470mm
Rack positions 4

Gas connection
R 1/2 (BSP) male
130mm from RH side, 32mm from
rear, and 655mm from floor

Dimensions
Width 600mm
Depth 800mm
Height 915mm
Incl. splashback 1085mm

Nett weight
92kg

Packing data
0.85m³, 123kg
Width 710mm
Depth 955mm
Height 1250mm

Gas types
Available in Natural gas and Propane gas,
please specify when ordering
Other gas types on request

Distributor:
KiD Catering Equipment
Oaktree Court Business Centre
Mill Lane, Ness,
Cheshire
CH64 8TP
Tel: 0333 123 2450
sales@kidcateringequipment.com



ISO9001
Quality
Management
Standard

Designed and manufactured by



ISO9001

All Cobra products are designed and manufactured by Moffat using the internationally recognised ISO9001 quality management system, covering design, manufacture and final inspection, ensuring consistent high quality at all times.

In line with policy to continually develop and improve its products, Moffat Limited reserves the right to change specifications and design without notice.



© Copyright Moffat Ltd
UK.C.01.19 / 1622

an Ali Group Company



The Spirit of Excellence