

CB9-B

900mm Gas Barbecue Bench Model



CB9-B

- Countertop Bench Model
- 900mm wide
- Stainless steel grease tray
- Reversible top grates
- Inclined position to reduce flare and enhance grease run
- 3 x 9kW aluminised burners
- Flame failure protection with continuous pilot burner and piezo ignition
- Lift out grates, radiants and baffles for cleaning
- Adjustable bench feet
- Stainless steel finish

OVERALL CONSTRUCTION

- Six 135mm wide x 550mm long reversible cast iron top grates
- Cast iron burner radiants and aluminised steel baffles
- Aluminised steel burners
- Stainless steel front, sides and splashback
- Vitreous enamelled control panel
- Stainless steel grease tray
- 63mm dia. stainless steel adjustable bench feet

CONTROLS

- Large easy use control knobs
- Dual controls with variable high to low burner setting
- Pilot, flame failure and piezo ignition to each burner

CLEANING AND SERVICING

- Lift out radiants, burners and grease tray baffles
- Lift out stainless steel top grate and radiant supports
- Easy clean stainless steel exterior
- Access to all parts from front of unit

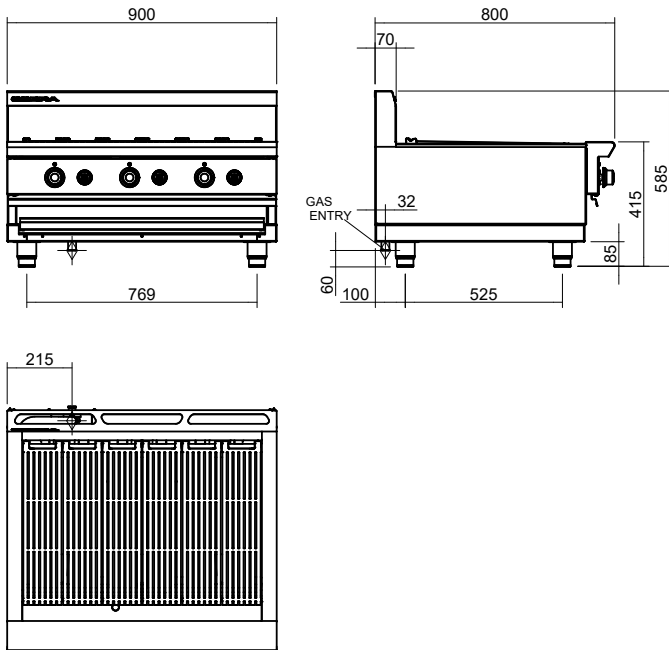
Distributor:
KiD Catering Equipment
Oaktree Court Business Centre
Mill Lane, Ness,
Cheshire
CH64 8TP
Tel: 0333 123 2450
sales@kidcateringequipment.com

Matching Products



CB9-B

900mm Gas Barbecue Bench Model



CB9-B

SPECIFICATIONS

Burners
3 x 9.0kW U-burners

Gas power
Natural gas
27.0kW (nett), 102,310 Btu/hr (gross)
Propane gas
27.0kW (nett), 100,140 Btu/hr (gross)

Gas flow rate
Natural gas 2.86m³/hr
Propane gas 2.10kg/hr

Cooking surface area
800mm x 540mm, 4320cm²

Gas connection
R 1/2 (BSP) male
215mm from LH side, 32mm from rear, and 60mm from bench

Dimensions
Width 900mm
Depth 800mm
Height 415mm
Incl. splashback 585mm

Nett weight
103kg

Packing data
0.72m³, 138.5kg
Width 1010mm
Depth 955mm
Height 750mm

Gas types
Available in Natural gas and Propane gas,
please specify when ordering
Other gas types on request

Distributor:
KiD Catering Equipment
Oaktree Court Business Centre
Mill Lane, Ness,
Cheshire
CH64 8TP
Tel: 0333 123 2450
sales@kidcateringequipment.com



ISO9001
Quality
Management
Standard

Designed and manufactured by



ISO9001

All Cobra products are designed and manufactured by Moffat using the internationally recognised ISO9001 quality management system, covering design, manufacture and final inspection, ensuring consistent high quality at all times.

In line with policy to continually develop and improve its products, Moffat Limited reserves the right to change specifications and design without notice.



© Copyright Moffat Ltd
UK.C.01.19 / 1622

an Ali Group Company



The Spirit of Excellence