

Technical data sheet for
**GAS GRIDDLE ELECTRIC CONVECTION
 OVEN RANGE 900mm**

GPE56

- Heavy-duty thermostatic gas griddle
- 20mm thick griddle plate
- Ribbed plate options
- Mirror chromed plate options
- Top weld sealed plates
- 23kW thermostatic griddle burner system
- Separate left and right heat zones
- GN 2/1 6.6kW electric convection oven
- Drop down door
- Rear rollers
- Stainless steel exterior
- Easy clean
- Easy service
- Fully modular

Overall Construction

- Galvanized steel chassis
- Welded hob surround with 1.5mm stainless steel bull nose
- Hob sides 1.2mm stainless steel
- Splashback 1.2mm stainless steel
- Front panels and oven sides 0.9mm stainless steel
- Enamelled hob control panel
- 63mm dia. heavy-duty 1.2mm stainless steel adjustable legs at front and two rollers at rear

Griddle

- 20mm thick machined top plates standard
- Optional ribbed plate sections
- Optional mirror finish hard chrome plates
- 2.5mm thick stainless steel splash guards sides and rear
- 2.5mm thick grease channel
- Two 11.5kW 3 bar even heat burners with dual thermostatic controls
- Full pilot and flame failure protection with piezo ignition
- Stainless steel grease drawer
- Overlapping finish at front and rear of plate for easy clean

Oven

- Fully welded and enamelled oven liner
- GN 2/1 capacity with 4 position racking
- Heavy-duty easy remove heavy wire chrome rack supports
- Cast iron even heat oven sole plate
- 6.5kW heating elements
- 100W heavy-duty motor
- 200mm diameter heavy-duty circulation fan
- Drop down door
- 0.9mm stainless steel door outer
- 1.0mm enamelled door inner
- High density fibreglass insulated
- Supplied with two chrome wire oven racks



GPE56

Controls

- Large easy use control knobs - heat resistant reinforced
- Easy view control settings on knobs

Griddle

- Separate left and right side heat zones
- Two 90-300°C thermostats
- Flame failure pilot burners
- Piezo ignition to each pilot burner
- Over-temperature safety cut-outs

Oven

- 50-320°C thermostatic control
- Indicator lights for power and heating
- Fan and elements automatic off when doors open

Cleaning and Servicing

- All models with easy clean stainless steel external finish
- Plate is finished front and rear with overlap construction to remove cleaning traps
- Control service and gas conversion through front of unit
- Burner service requires plate removal
- Removable oven racking and sole plate
- Easy clean enamelled oven and door inner
- Access to all parts from front of unit

Distributor:
 KiD Catering Equipment
 Oaktree Court Business Centre
 Mill Lane, Ness,
 Cheshire
 CH64 8TP
 Tel: 0333 123 2450
sales@kidcateringequipment.com

Technical data sheet for GAS GRIDDLE ELECTRIC CONVECTION OVEN RANGE 900mm

BLUE SEAL

Specifications

Burners – Griddle

Two 11.5kW 3 bar chromed steel burners
Individual pilot, flame failure and piezo ignition

Elements – Oven

4.5kW bottom heat element
2.0kW top heat element

Oven Fan Motor

100W

Gas power (gross)

23kW, 78,500 Btu/hr

Electrical requirements

18kW

1 phase connection:

230-240Vac, 50/60hz, 1P+N+E, 27.7A

3 phase connection:

400-415Vac, 50/60hz, 3P+N+E

L1 9.4A

L2 9.4A

L3 8.3A

Plate

Cooking surface 892mm x 530mm, 4728cm²

Oven Dimensions

Width 665mm

Depth 590mm

Height 385mm

Rack size 660mm x 540mm

Rack positions 4

Gas connection

R 3/4 (BSP) male

Optional underside connection, please specify when ordering

All units supplied with Natural and LP gas regulator

Dimensions

Width 900mm

Depth 812mm

Height 915mm

Incl. splashback 1085mm

Packing data

1.03m³

Width 945mm

Depth 870mm

Height 1255mm

Gas types

Available in Natural gas and LP gas, please specify when ordering

Units supplied complete with gas type conversion kits

Options

Adjustable feet at rear

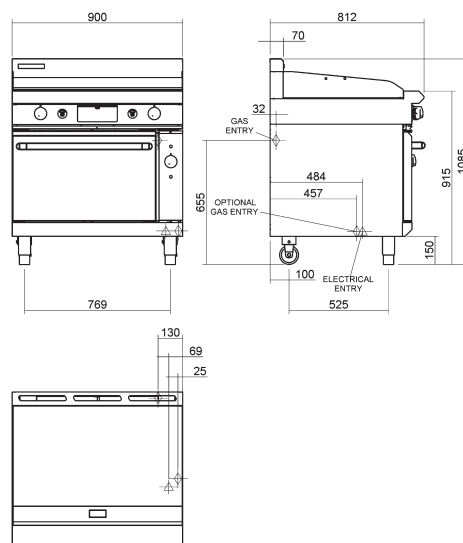
Joining caps

Castors

Ribbed plate options

Mirror chromed plate options

GPE56



Distributor:
KiD Catering Equipment
Oaktree Court Business Centre
Mill Lane, Ness,
Cheshire
CH64 8TP
Tel: 0333 123 2450
sales@kidcateringequipment.com



ISO9001
Quality
Management
Standard

Designed and manufactured by

MOFFAT

ISO9001

All Blue Seal products are designed and manufactured by Moffat using the internationally recognised ISO9001 quality management system, covering design, manufacture and final inspection, ensuring consistent high quality at all times.



In line with policy to continually develop and improve its products, Moffat Limited reserves the right to change specifications and design without notice.