

Technical data sheet for

**GAS CHARGRILL 450mm, 600mm, 900mm, 1200mm**

G593-B, G593-LS, G594-B, G594-LS

G596-B, G596-LS, G598-B, G598-LS

- Heavy-duty construction
- Reversible heavy-duty top grates
- Interchangeable drop on griddle plates
- 9.8kW stainless steel burners per 300mm section on 600mm, 900mm and 1200mm models
- 14.2kW stainless steel burner on 450mm model
- Rear rollers
- Stainless steel exterior
- Easy clean
- Easy service
- Fully modular



G594-LS

**Overall Construction**

**Chargrill**

- 2.5mm thick 304 stainless steel side splash guards
- Welded 1.5mm 304 stainless steel bull nose
- Side panels 1.2mm 304 stainless steel
- Splashback 1.2mm 304 stainless steel
- Vitreous enamelled control panel
- Front grease channel
- Welded 1.2mm 304 stainless steel grease trays
- 1.5mm aluminised steel burner box
- Insulated sides

**Bench mount (supplied as -B model)**

- Four 63mm dia. heavy-duty 1.2mm 304 stainless steel bench legs with adjustable feet
- Adjustable height 80mm-105mm

**Leg stand (supplied as -LS model)**

- Fully modular for matched suite finish
- Framed top for connection to Chargrill
- 63mm dia. heavy-duty 1.2mm 304 stainless steel legs with two adjustable feet at front and two rollers at rear
- Fully modular framed stand shelf with 0.9mm 304 stainless steel finish
- Quick assembly design

**Grates and radiants and baffles**

- 150mm wide x 550mm top grate sections
- Top grates reversible for level or inclined use
- Inclined position incorporates flare reducing grate fin design with grooves to run grease into front collection channel
- Heavy weight castings for high demand performance
- Heavy-duty high efficiency cast iron burner radiants improve heat retention and protect burners
- Baffles over grease trays to reduce grease collection flare ups

**Griddle plates**

- Optional extra 300mm wide and 450mm wide x 550mm deep drop on cast iron griddle sections
- Machined smooth surface finish
- Interchangeable in any position with 2 or 3 sections of top grate
- Multiple griddle sections can be mixed in any positions

**Burners**

- Full 304 stainless steel burners
- 1 x 9.8kW burner per 300mm section (600mm, 900mm, 1200mm models)
- 1 x 14.2kW burner on 450mm model
- Removable for cleaning
- Full pilot and flame failure protection per burner

**Controls**

- Individual Hi-Lo gas control to each burner with flame failure and pilot
- Large easy use control knob - heat resistant reinforced
- Easy view control settings on knob
- Piezo ignition to pilot burner

**Cleaning and Servicing**

- Easy clean stainless steel external finish
- Lift out radiants, burners and grease tray baffles
- All burner box interior parts lift out for full cleaning access
- Deep stainless steel grease collection drawers
- Access to all parts from front of unit

# Technical data sheet for GAS CHARGRILL 450mm, 600mm, 900mm, 1200mm

**BLUE SEAL**

## Specifications

### Burner

9.8kW 304 stainless steel U-burner per 300mm section  
14.2kW 304 stainless steel 3 bar burner on 450mm model

### Gas power

G593 14.4kW, 48,500 Btu/hr  
G594 19.8kW, 67,500 Btu/hr  
G596 29.6kW, 101,000 Btu/hr  
G598 39.5kW, 134,700 Btu/hr

### Cooking surface area

G593 442mm x 500mm, 2210cm<sup>2</sup>  
G594 592mm x 500mm, 2960cm<sup>2</sup>  
G596 892mm x 500mm, 4460cm<sup>2</sup>  
G598 1192mm x 500mm, 5960cm<sup>2</sup>

### Gas connection

R<sup>3</sup>/<sub>4</sub> (BSP) male  
All units supplied with Natural and LP gas regulator

### Dimensions

#### Width

450mm G593-B  
600mm G594-B  
900mm G596-B  
1200mm G598-B

#### Depth 812mm

#### Height 415mm

#### Incl. splashback 585mm

#### Width

450mm G593-LS  
600mm G594-LS  
900mm G596-LS  
1200mm G598-LS

#### Depth 812mm

#### Height 915mm

#### Incl. splashback 1085mm

### Nett weight

450mm G593 99kg  
600mm G594 128kg  
900mm G596 178kg  
1200mm G598 227kg

### Packing data

#### 450mm

0.29m<sup>3</sup>, 133kg  
Width 870mm  
Depth 495mm  
Height 855mm

#### 600mm

0.48m<sup>3</sup>, 171kg  
Width 645mm  
Depth 870mm  
Height 855mm

#### 900mm

0.70m<sup>3</sup>, 232kg  
Width 945mm  
Depth 870mm  
Height 855mm

#### 1200mm

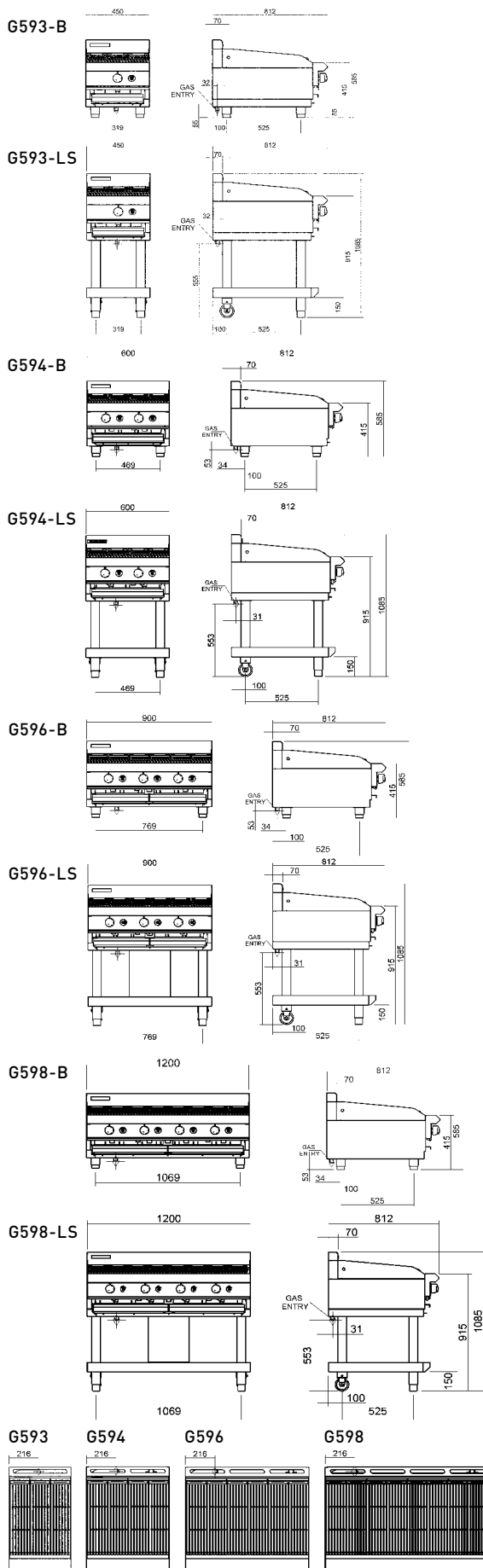
0.93m<sup>3</sup>, 295kg  
Width 1245mm  
Depth 870mm  
Height 855mm

### Gas types

Available in Natural gas and LP gas, please specify when ordering  
Units supplied complete with gas type conversion kits  
Other gas types on request

### Options

Adjustable feet at rear  
Griddle plates 300mm drop on  
Griddle plates 450mm drop on  
Joining caps  
Castors



www.kidcateringequipment.com  
Tel: 0333 123 2450  
sales@kidcateringequipment.com



ISO9001  
Quality  
Management  
Standard

Designed and manufactured by

**MOFFAT**

ISO9001  
All Blue Seal products are designed and manufactured by Moffat using the internationally recognised ISO9001 quality management system, covering design, manufacture and final inspection, ensuring consistent high quality at all times.



In line with policy to continually develop and improve its products, Moffat Limited reserves the right to change specifications and design without notice.

