

Technical data sheet for

## E30M3 ON THE SK2731N STAND

GN 1/1 Manual / Electric Convection Oven  
on a Stainless Steel Stand



### E30M3

Unit shall be a Blue Seal electrically heated Turbofan convection oven. The oven shall have a one piece vitreous enamel oven chamber, stainless top and sides and safe touch vented easy clean side hinged door that offers field reversible hinging. Oven shall have capacity for three GN 1/1 pans. The oven shall be controlled by a mechanical thermostat with a range of 50-260°C, a 60 minute bake timer, and feature a single halogen oven lamp. Oven shall be able to be bench mounted on 76mm feet or mounted on oven stand model SK2731N. Oven shall be fitted with a 13A cordset. Unit shall be supplied in 100% recyclable shipping packaging.

### SK2731N

Unit shall be a Blue Seal Turbofan stainless steel oven stand. The stand shall be constructed from stainless steel tube with castors, with front castors having dual swivel and wheel locks. It shall be fitted with 6 tray runners suitable for 600 x 400 trays and GN 1/1 pans. The stand shall be fully compatible with, and support, Turbofan Convection Oven models E27, E28, E30 and E31. Unit shall be supplied in 100% recyclable shipping packaging.

### STANDARD FEATURES

- 3 Gastronorm GN 1/1 pan capacity
- 100mm tray spacing
- Compact 616mm depth x 810mm width
- 13A plug-in cordset fitted
- Mechanical thermostat 50-260°C
- 60 minute timer with time up alarm
- Single direction low-velocity fan
- 2.2kW heating elements
- Safe-Touch vented side hinged door (standard LH hinge). Optional RH hinge (field convertible)
- Stay-Cool door handle
- Vitreous enamel oven chamber
- Plug-in continuous oven door seal
- Halogen oven lamp
- Anti-skid 50mm dia. 76mm high adjustable stainless steel feet
- 3 oven wire racks supplied
- 100% recyclable packaging

### ACCESSORIES

- Turbofan SK2731N Oven Stand

### E30M3 GN 1/1 Manual / Electric Convection Oven on a Stainless Steel Stand

#### CONSTRUCTION

Vitreous enamel fully welded oven chamber  
 Stainless steel front, sides and top exterior  
 Stainless steel oven fan baffle and oven vent  
 Removable 3 position chrome plated wire side racks  
 Oven grids chrome plated wire (3 supplied)  
 Stainless steel frame side hinged door  
 5mm thick door outer glass  
 5mm thick low energy loss door inner glass  
 Full stainless steel welded door handle  
 Stainless steel control panel  
 Aluminised coated steel base and rear panels

#### CONTROLS

Power ON control panel indicator  
 Mechanical thermostat 50-260°C  
 Heating ON control panel indicator  
 Manual 60 minute timer  
 Time-Up control panel indicator and buzzer

#### CLEANING

Stainless steel top and sides continuous exterior panel  
 Vitreous enamel oven chamber  
 Fully removable chrome plated oven side racks  
 Removable vitreous enamel oven fan baffle  
 Easy clean door system with hinge out door inner glass (no tools required)  
 Removable plug-in oven door seal (no tools required)  
 76mm high stainless steel feet for easy access underside

#### SPECIFICATIONS

Electrical Requirements  
 230-240V, 50Hz, 1P+N+E, 2.3kW, 9.5A  
 13A cordset fitted

#### External Dimensions

Width 810mm  
 Height 625mm including 76mm feet  
 Depth 616mm

#### Oven Internal Dimensions

Width 565mm  
 Height 425mm  
 Depth 395mm  
 Volume 0.09m<sup>3</sup>

#### Oven Rack Dimensions

Width 540mm  
 Depth 370mm

#### Nett Weight (E30M3)

59kg

#### Packing Data (E30M3)

83kg  
 0.46m<sup>3</sup>  
 Width 745mm  
 Height 710mm  
 Depth 875mm

### SK2731N Stainless Steel Stand

All stainless steel welded frame oven stand for Turbofan E27, E28, E30 and E31 Series model ovens  
 6 position tray runners standard  
 76mm diameter wheel swivel castors standard with 2 front castors with dual swivel and wheel lock  
 Welded 38mm and 32mm square tube front and rear frames  
 Welded rack supports/side frames  
 Top frame oven supports suit Turbofan E27, E28, E30 and E31 Series oven mounting  
 Supplied CKD for assembly on site

#### External Dimensions (SK2731N Oven Stand)

Width 810mm  
 Height 880mm  
 Depth 650mm

#### Nett Weight (SK2731N Oven Stand)

19.5kg

#### Packing Data (SK2731N Oven Stand)

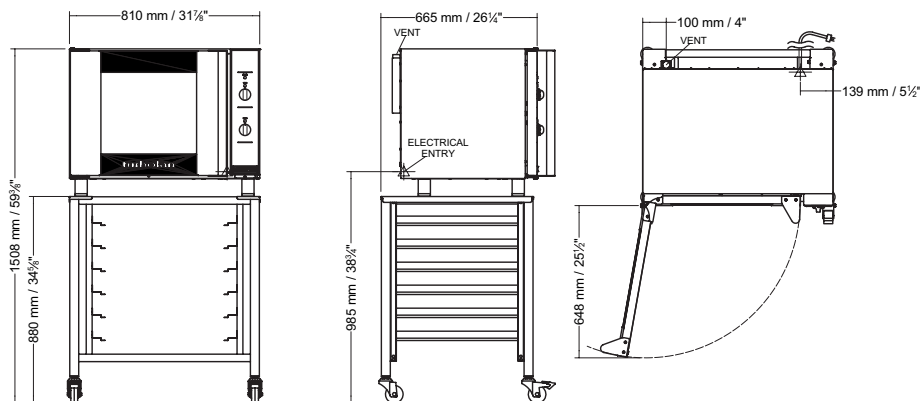
22kg  
 0.11m<sup>3</sup>  
 Width 830mm  
 Height 900mm  
 Depth 152mm

#### INSTALLATION CLEARANCES

Rear 25mm  
 LH Side 25mm  
 RH Side 25mm

#### CLEARANCE FROM SOURCES OF HEAT

A minimum distance of 300mm from the appliance sides is required



ISO9001  
 Quality  
 Management  
 Standard

Designed and manufactured by



ISO9001

All Turbofan products are designed and manufactured by Moffat using the internationally recognised ISO9001 quality management system, covering design, manufacture and final inspection, ensuring consistent high quality at all times.

In line with policy to continually develop and improve its products, Moffat Limited reserves the right to change specifications and design without notice.



© Copyright Moffat Ltd  
 UK.TFN.S.1701



Distributor:

KiD Catering Equipment, Oaktree Court Business Centre, Mill Lane, Ness, Cheshire, CH64 8TP  
 Tel: 0333 123 2450  
[sales@kidcateringequipment.com](mailto:sales@kidcateringequipment.com)