

C9B

900mm Two Burner/Griddle Gas Cooktop



C9B

- 900mm wide
- 2 open burners
- 600mm griddle plate
- 5kW open burner rating
- Flame failure standard on open burners
- Cast iron burners and vitreous enamel potstands
- 2 griddle burner with pilot, flame failure and piezo ignition
- Griddle plate machine finished 12mm thickness
- Open cabinet base for extra storage
- Adjustable front feet and rear rollers
- Stainless steel finish
- Fully modular

Also Available



C9A



C9C



C9D

OVERALL CONSTRUCTION

- Cast iron open burner heads with vitreous enamelled cast iron caps
- Vitreous enamelled potstands
- Vitreous enamelled control panel
- 12mm machined surface mild steel griddle plates
- Stainless steel front, sides and splashback
- Stainless steel cabinet interior base
- Stainless steel spill tray
- Griddle section are standard on RH side only
- 63mm dia. stainless steel adjustable legs to front and two rollers at rear

CONTROLS

- Large easy use control knobs
- Variable high to low controls to open and griddle burners
- Flame failure standard on open burners
- Griddles standard with pilot, flame failure and piezo ignition

CLEANING AND SERVICING

- Easy clean stainless steel exterior
- Vitreous enamelled potstands and burner caps
- Lift off open burner caps and removable burners
- Removable spill trays
- Stainless steel grease trays on griddle
- Access to all parts from front of unit

Matching Products



CR9D

CR6C

CF2

CR9A

C6D

C450

CP4

CS9 / C900-S

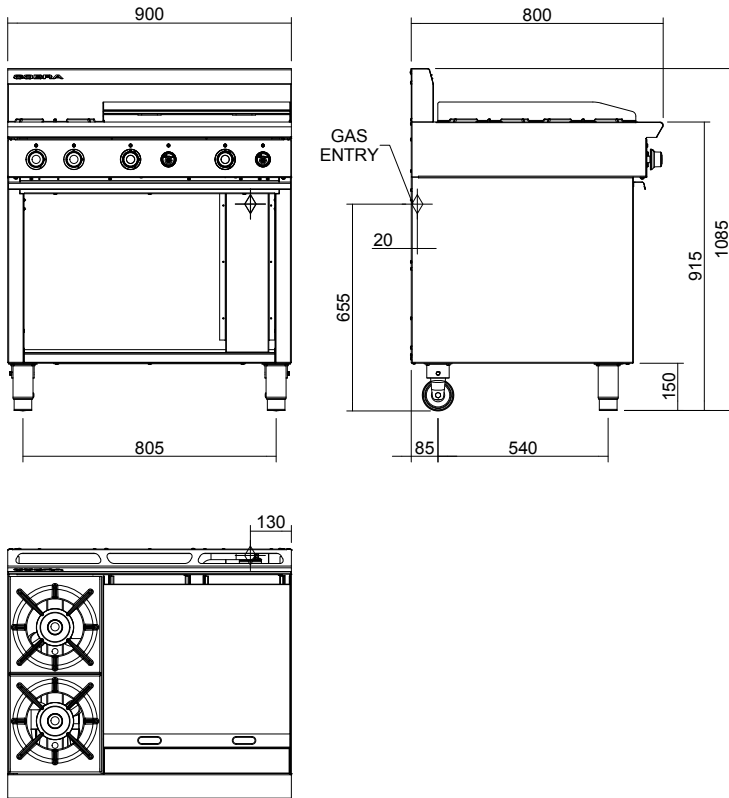
CT6

C300

Distributor:

C9B

900mm Two Burner/Griddle Gas Cooktop



C9B

SPECIFICATIONS

Burners
 Open Burners;
 Natural Gas
 5.0kW each
 Propane gas
 4.6kW each

Griddle Burners;
 5.0kW per 300mm section

Gas power
 Natural gas
 20.0kW (nett), 75,790 Btu/hr (gross)
 Propane gas
 19.2kW (nett), 68,240 Btu/hr (gross)

Gas flow rate
 Natural gas 2.12m³/hr
 Propane gas 1.50kg/hr

Gas connection
 R 3/4 (BSP) male
 130mm from RH side, 20mm from rear, and 655mm from floor

Dimensions
 Width 900mm
 Depth 800mm
 Height 915mm
 Incl. splashback 1085mm

Nett weight
 89.5kg

Packing data
 1.21m³, 130kg
 Width 1010mm
 Depth 955mm
 Height 1250mm

Gas types
 Available in Natural gas and Propane gas,
 please specify when ordering
 Other gas types on request

Distributor:
 KiD Catering Equipment
 Oaktree Court Business Centre
 Mill Lane, Ness,
 Cheshire
 CH64 8TP
 Tel: 0333 123 2450
sales@kidcateringequipment.com



Designed and manufactured by



ISO9001
 All Cobra products are designed and manufactured by Moffat using the internationally recognised ISO9001 quality management system, covering design, manufacture and final inspection, ensuring consistent high quality at all times.

In line with policy to continually develop and improve its products, Moffat Limited reserves the right to change specifications and design without notice.



© Copyright Moffat Ltd
 UK.C.01.19 / 1622

an Ali Group Company



The Spirit of Excellence