

C9A

900mm Griddle Gas Cooktop



C9A

- 900mm wide
- 3 griddle burners with pilot, flame failure and piezo ignition
- Machine finished griddle plate 12mm thickness
- Open cabinet base for extra storage
- Adjustable front feet and rear rollers
- Stainless steel finish
- Fully modular

Also Available



C9B



C9C



C9D

OVERALL CONSTRUCTION

- 12mm machined surface mild steel griddle plate
- Stainless steel front, sides and splashback
- Vitreous enamelled control panel
- Stainless steel cabinet interior base
- Stainless steel spill tray
- 63mm dia. stainless steel adjustable legs to front and two rollers at rear

CONTROLS

- Large easy use control knobs
- Variable high to low controls to griddle burners
- Standard with pilot, flame failure and piezo ignition

CLEANING AND SERVICING

- Easy clean stainless steel exterior
- Stainless steel grease trays
- Access to all parts from front of unit

Matching Products



CW2H



CSP6



CN4



CT9



CW3H



CW1H



CP4

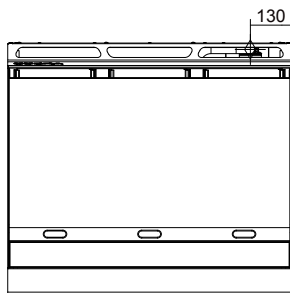
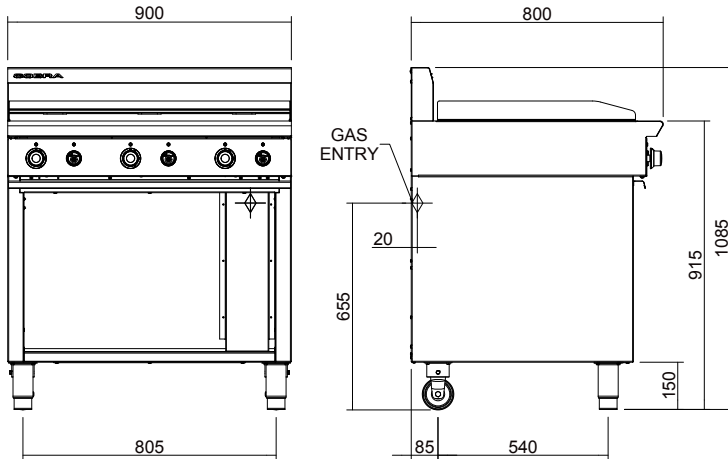


CS9 / C900-S

Distributor:

C9A

900mm Griddle Gas Cooktop



C9A

SPECIFICATIONS

Burners
Griddle Burners;
20MJ/hr, 5.0kW per 300mm section

Gas power (gross)
C9A 60MJ/hr, 16.7kW

Gas connection
R 3/4 (BSP) male
130mm from RH side, 20mm from rear, and 655mm from floor

Dimensions
Width 900mm
Depth 800mm
Height 915mm
Incl. splashback 1085mm
Nett weight
93.5kg

Packing data
1.21m³, 134kg
Width 1010mm
Depth 955mm
Height 1250mm

Gas types
Available in Natural gas and LP gas,
please specify when ordering
Other gas types on request

Distributor:
KiD Catering Equipment
Oaktree Court Business Centre
Mill Lane, Ness,
Cheshire
CH64 8TP
Tel: 0333 123 2450
sales@kidcateringequipment.com



ISO9001
Quality
Management
Standard

Designed and manufactured by



ISO9001
All Cobra products are designed and manufactured by Moffat using the internationally recognised ISO9001 quality management system, covering design, manufacture and final inspection, ensuring consistent high quality at all times.

In line with policy to continually develop and improve its products, Moffat Limited reserves the right to change specifications and design without notice.

© Copyright Moffat Ltd
AN.C.01.19 / 1598



Cert. No. AGA 7225G

an Ali Group Company



The Spirit of Excellence