

C9A-B

900mm Griddle Gas Cooktop Bench Model



C9A-B

- Countertop Bench Model
- 900mm wide
- 3 griddle burners with pilot, flame failure and piezo ignition
- Machine finished griddle plate 12mm thickness
- Adjustable bench feet
- Stainless steel finish

Also Available



C9B-B



C9C-B



C9D-B

OVERALL CONSTRUCTION

- 12mm machined surface mild steel griddle plate
- Stainless steel front, sides and splashback
- Vitreous enamelled control panel
- Stainless steel spill tray
- 63mm dia. stainless steel adjustable bench feet

CONTROLS

- Large easy use control knobs
- Variable high to low controls to griddle burners
- Standard with pilot, flame failure and piezo ignition

CLEANING AND SERVICING

- Easy clean stainless steel exterior
- Stainless steel grease trays
- Access to all parts from front of unit

Matching Products



CR9D



CR6C



CF2



C9C



C6D



C450



CP4



CS9 / C900-S



CT6

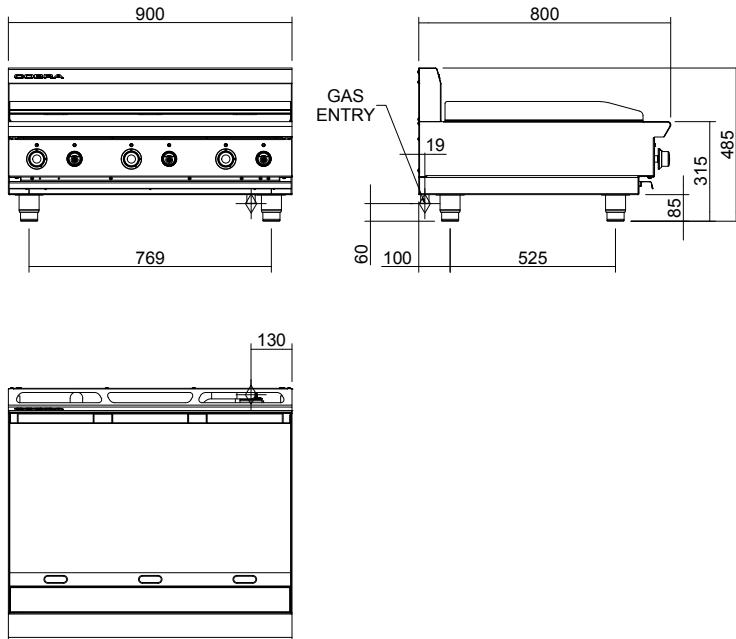


C300

Distributor:

C9A-B

900mm Griddle Gas Cooktop Bench Model



C9A-B

SPECIFICATIONS

Burners

Griddle Burners;
5.0kW per 300mm section

Gas power

Natural gas
15.0kW (nett), 56,840 Btu/hr (gross)
Propane gas
15.0kW (nett), 55,630 Btu/hr (gross)

Gas flow rate

Natural gas 1.59m³/hr
Propane gas 1.17kg/hr

Gas connection

R 3/4 (BSP) male
130mm from RH side, 20mm from
rear, and 60mm from bench

Dimensions

Width 900mm
Depth 800mm
Height 315mm
Incl. splashback 485mm

Nett weight
75.5kg

Packing data

0.72m³, 112kg
Width 1010mm
Depth 955mm
Height 750mm

Gas types

Available in Natural gas and Propane gas,
please specify when ordering
Other gas types on request

Distributor:
KID Catering Equipment
Oaktree Court Business Centre
Mill Lane, Ness,
Cheshire
CH64 8TP
Tel: 0333 123 2450
sales@kidcateringequipment.com



ISO9001
Quality
Management
Standard

Designed and manufactured by



ISO9001

All Cobra products are designed and manufactured by Moffat using the internationally recognised ISO9001 quality management system, covering design, manufacture and final inspection, ensuring consistent high quality at all times.

In line with policy to continually develop and improve its products, Moffat Limited reserves the right to change specifications and design without notice.



© Copyright Moffat Ltd
UK.C.01.19 / 1622

an Ali Group Company



The Spirit of Excellence