

## C6D-B

### 600mm Four Burner Gas Cooktop Bench Model



C6D-B

- Countertop Bench Model
- 600mm wide
- 4 open burners
- 5kW open burner rating
- Flame failure standard on open burners
- Cast iron burners and vitreous enamel potstands
- Adjustable bench feet
- Stainless steel finish

#### Also Available



C6B-B



C6C-B

#### OVERALL CONSTRUCTION

- Cast iron open burner heads with vitreous enamelled cast iron caps
- Vitreous enamelled potstands
- Vitreous enamelled control panel
- Stainless steel front, sides and splashback
- Stainless steel spill tray
- 63mm dia. stainless steel adjustable bench feet

#### CONTROLS

- Large easy use control knobs
- Variable high to low controls to open burners
- Flame failure standard on open burners

#### CLEANING AND SERVICING

- Easy clean stainless steel exterior
- Vitreous enamelled potstands and burner caps
- Lift off open burner caps and removable burners
- Removable spill trays
- Access to all parts from front of unit

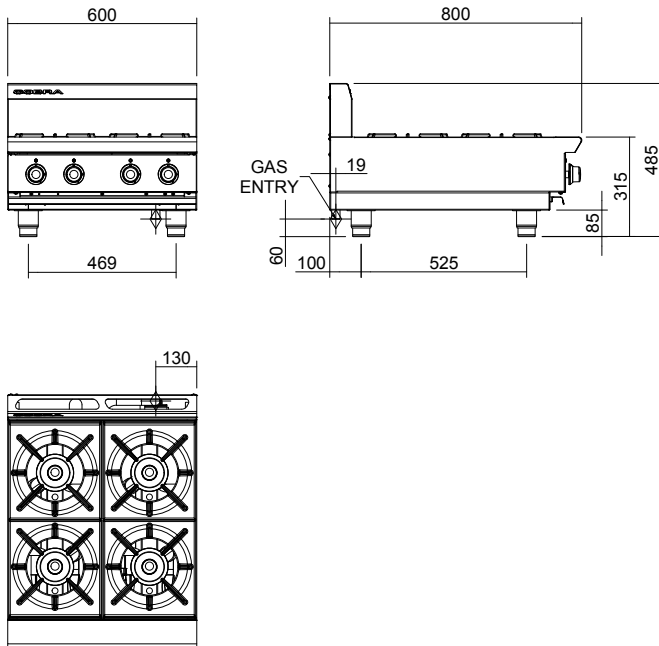
#### Matching Products



#### Distributor:

## C6D-B

### 600mm Four Burner Gas Cooktop Bench Model



C6D-B

#### SPECIFICATIONS

**Burners**  
Open Burners;  
Natural Gas  
5.0kW each  
Propane gas  
4.6kW each

**Gas power**  
Natural gas  
20.0kW (nett), 75,790 Btu/hr (gross)  
Propane gas  
18.4kW (nett), 68,240 Btu/hr (gross)

**Gas flow rate**  
Natural gas 2.12m<sup>3</sup>/hr  
Propane gas 1.44kg/hr

**Gas connection**  
R 3/4 (BSP) male  
130mm from RH side, 20mm from rear, and 60mm from bench

**Dimensions**  
Width 600mm  
Depth 800mm  
Height 315mm  
Incl. splashback 485mm  
Nett weight  
52.5kg

**Packing data**  
0.51m<sup>3</sup>, 80.5kg  
Width 710mm  
Depth 955mm  
Height 750mm

**Gas types**  
Available in Natural gas and Propane gas,  
please specify when ordering  
Other gas types on request

**Distributor:**  
KiD Catering Equipment  
Oaktree Court Business Centre  
Mill Lane, Ness,  
Cheshire  
CH64 8TP  
Tel: 0333 123 2450  
[sales@kidcateringequipment.com](mailto:sales@kidcateringequipment.com)



ISO9001  
Quality  
Management  
Standard

Designed and manufactured by



ISO9001

All Cobra products are designed and manufactured by Moffat using the internationally recognised ISO9001 quality management system, covering design, manufacture and final inspection, ensuring consistent high quality at all times.

In line with policy to continually develop and improve its products, Moffat Limited reserves the right to change specifications and design without notice.



© Copyright Moffat Ltd  
UK.C.01.19 / 1622

an Ali Group Company



The Spirit of Excellence