

CR6B

600mm Griddle Gas Range Static Oven



CR6B

- 600mm wide
- 2 griddle burners with pilot, flame failure and piezo ignition
- Machine finished griddle plate 12mm thickness
- High crown static oven
- 1/1 GN pan capacity
- Manual pilot ignition
- Side hinged door
- Vitreous enameled oven liner
- Adjustable front feet and rear rollers
- Stainless steel finish
- Fully modular

Also Available



CR6C



CR6D

OVERALL CONSTRUCTION

Cooktop

- 12mm machined surface mild steel griddle plate
- Vitreous enamelled control panel
- Stainless steel front, sides and splashback
- Stainless steel spill tray

Oven

- Vitreous enamelled oven liner
- GN 1/1 capacity with 4 position racking
- Supplied with two chrome plated oven racks
- Vitreous enamelled oven spill tray
- Stainless steel door and sides
- 63mm dia. stainless steel adjustable legs to front and two rollers at rear

CONTROLS

Cooktop

- Large easy use control knobs
- Variable high to low controls to griddle burners
- Standard with pilot, flame failure and piezo ignition

Oven

- 100-310°C thermostatic oven control
- Piezo ignition to oven pilot burner with flame failure

CLEANING AND SERVICING

- Easy clean stainless steel exterior
- Stainless steel grease trays
- Access to all parts from front of unit

Matching Products



CF2



C9C



CR6C



C450



CT9



CP4



CS9 / C900-S



C6B



CT6



C300

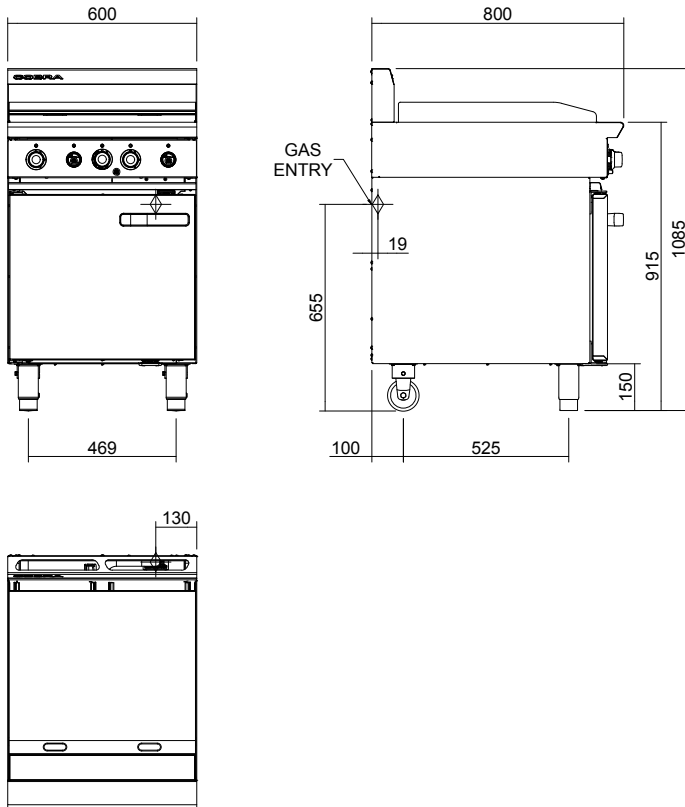
Distributor:

KiD Catering Equipment, Oaktree Court Business Centre, Mill Lane, Ness, Cheshire, CH64 8TP
Tel: 0333 123 2450

sales@kidcateringequipment.com

CR6B

600mm Griddle Gas Range Static Oven



Distributor:
 KiD Catering Equipment
 Oaktree Court Business Centre
 Mill Lane, Ness,
 Cheshire
 CH64 8TP
 Tel: 0333 123 2450
sales@kidcateringequipment.com

CR6B

SPECIFICATIONS

Burners
 Griddle Burners;
 5.0kW per 300mm section

Oven;
 Natural gas
 6.5kW
 Propane gas
 6.0kW

Gas power
 Natural gas
 16.5kW (nett), 62,525 Btu/hr (gross)
 Propane gas
 16.0kW (nett), 59,340 Btu/hr (gross)

Gas flow rate
 Natural gas 1.75m³/hr
 Propane gas 1.25kg/hr

Oven dimensions
 Width 460mm
 Depth 615mm
 Height 365mm

Rack size
 450mm x 590mm
 Rack positions 4

Gas connection
 R 3/4 (BSP) male
 130mm from RH side, 20mm from rear, and 655mm from floor

Dimensions
 Width 600mm
 Depth 800mm
 Height 915mm
 Incl. splashback 1085mm

Nett weight
 109kg

Packing data
 0.85m³, 140kg
 Width 710mm
 Depth 955mm
 Height 1250mm

Gas types
 Available in Natural gas and Propane gas, please specify when ordering
 Other gas types on request



ISO9001
 Quality
 Management
 Standard

Designed and manufactured by



ISO9001

All Cobra products are designed and manufactured by Moffat using the internationally recognised ISO9001 quality management system, covering design, manufacture and final inspection, ensuring consistent high quality at all times.

In line with policy to continually develop and improve its products, Moffat Limited reserves the right to change specifications and design without notice.



© Copyright Moffat Ltd
 UK.C.01.19 / 1622

an Ali Group Company



The Spirit of Excellence