

## CP4

### 450mm Single Pan Gas Pasta Cooker



CP4

- High performance single pan pasta cooker
- Patented infra-red burner system
- Easy clean 316 grade stainless steel open pan
- 40L water capacity
- Integrated water fill and starch skimming water faucet
- Six stainless steel pasta baskets supplied
- Hinged basket drain stand
- Safety cut-out thermostat for empty pan/water boil out
- Stainless steel exterior
- Easy clean
- Easy service
- Fully modular

#### OVERALL CONSTRUCTION

- Pan 1.5mm 316 stainless steel
- Stainless steel front, sides and splashback
- Vitreous enamelled control panel
- Double skin door with stainless exterior
- 25mm (1") skimming overflow and pan drain valve
- 63mm dia. stainless steel adjustable legs to front and two rollers at rear
- Six stainless steel baskets with moulded handles
- 304 stainless steel wire basket support grid in pan

#### CONTROLS

- Large easy to use knob - heat resistant reinforced
- Variable high boil to standby simmer burner control
- Fine adjustment water faucet for pan filling and water refreshing/starch skimming
- Pan protection safety cut-out thermostat
- Millivolt gas valve system (no electrical supply)
- Flame failure protection on pilot
- Piezo ignition to standing pilot burner

#### CLEANING AND SERVICING

- Open stainless steel pan for easy clean
- Hinged basket drain tray
- Removable basket support grid
- 25mm (1") drain valve for effective draining
- Easy clean stainless steel exterior
- Access to all parts from front of unit

#### Matching Products



CR9D

CR6C

CF2

CT9

C6D

C450

CT6

CS9 / C900-S

C6B

C300

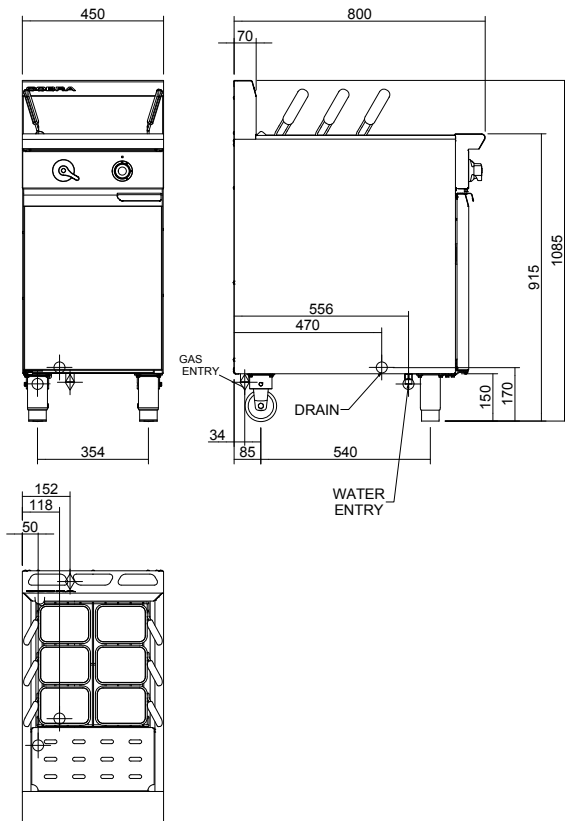
#### Distributor:

KiD Catering Equipment, Oaktree Court Business Centre, Mill Lane, Ness, Cheshire, CH64 8TP  
Tel: 0333 123 2450

[sales@kidcateringequipment.com](mailto:sales@kidcateringequipment.com)

## CP4

### 450mm Single Pan Gas Pasta Cooker



CP4

#### SPECIFICATIONS

**Pan size**  
Water capacity 40L  
Width 365mm  
Length 405mm  
Basket immersion depth 165mm

**Baskets**  
6 stainless steel perforated baskets with moulded plastic handles  
125mm x 165mm x 180mm deep  
Stainless steel wire basket support grid

**Burners**  
1 x infra-red burner

**Gas power**  
Natural gas  
12.0kW (nett), 45,450 Btu/hr (gross)  
Propane gas  
12.5kW (nett), 46,350 Btu/hr (gross)

**Gas flow rate**  
Natural gas 1.27m<sup>3</sup>/hr  
Propane gas 0.97kg/hr

**Gas connection**  
R 3/4 (BSP) male  
50mm from left hand side, 34mm from rear and 140mm from floor

**Water connection**  
Cold water connection 50mm from left hand side, 556mm from rear and 140mm from floor  
R1/2 (BSP) male

**Drain connection**  
Drain must be connected to system suitable for boiling water discharge 1" BSP Male connection 118mm from left hand side, 470mm from rear, and 170mm from floor

**Dimensions**  
Width 450mm  
Depth 800mm  
Height 915mm  
Incl. splashback 1085mm  
Nett weight 78kg

**Packing data**  
0.587m<sup>3</sup>, 95.5kg  
Width 900mm  
Depth 520mm  
Height 1255mm

**Gas types**  
Available in Natural gas and Propane gas, please specify when ordering  
Other gas types on request

**Options**  
Side splash guards  
Joining caps

Distributor:  
KiD Catering Equipment  
Oaktree Court Business Centre  
Mill Lane, Ness,  
Cheshire  
CH64 8TP  
Tel: 0333 123 2450  
sales@kidcateringequipment.com



ISO9001  
Quality  
Management  
Standard

Designed and manufactured by



ISO9001

All Cobra products are designed and manufactured by Moffat using the internationally recognised ISO9001 quality management system, covering design, manufacture and final inspection, ensuring consistent high quality at all times.

In line with policy to continually develop and improve its products, Moffat Limited reserves the right to change specifications and design without notice.



© Copyright Moffat Ltd  
U.K.C.01.19 / 1622

an Ali Group Company



The Spirit of Excellence