

C9C

900mm Four Burner/Griddle Gas Cooktop



C9C

- 900mm wide
- 4 open burners
- 300mm griddle plate
- 5kW open burner rating
- Flame failure standard on open burners
- Cast iron burners and vitreous enamel potstands
- 1 griddle burner with pilot, flame failure and piezo ignition
- Griddle plate machine finished 12mm thickness
- Open cabinet base for extra storage
- Adjustable front feet and rear rollers
- Stainless steel finish
- Fully modular

Also Available



C6A



C6D



C6D

OVERALL CONSTRUCTION

- Cast iron open burner heads with vitreous enamelled cast iron caps
- Vitreous enamelled potstands
- Vitreous enamelled control panel
- 12mm machined surface mild steel griddle plates
- Stainless steel front, sides and splashback
- Stainless steel cabinet interior base
- Stainless steel spill tray
- Griddle section are standard on RH side only
- 63mm dia. stainless steel adjustable legs to front and two rollers at rear

CONTROLS

- Large easy use control knobs
- Variable high to low controls to open and griddle burners
- Flame failure standard on open burners
- Griddles standard with pilot, flame failure and piezo ignition

CLEANING AND SERVICING

- Easy clean stainless steel exterior
- Vitreous enamelled potstands and burner caps
- Lift off open burner caps and removable burners
- Removable spill trays
- Stainless steel grease trays on griddle

Matching Products



CR9D



CR6C



CF2



CR9A



C6D



C450



CP4



CS9 / C900-S



CT6

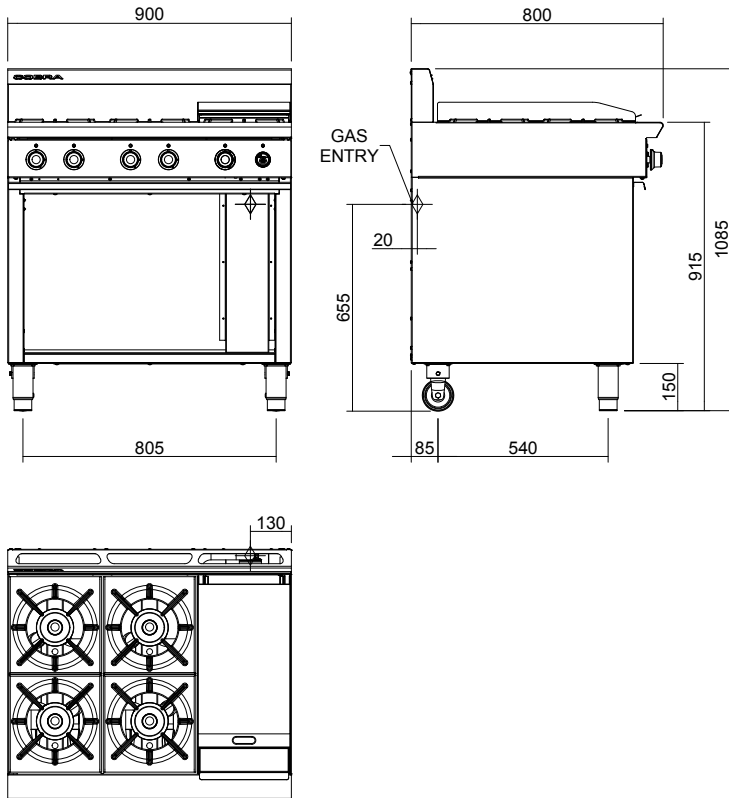


C300

Distributor:

C9C

900mm Four Burner/Griddle Gas Cooktop



C9C

SPECIFICATIONS

Burners

Open Burners;

Natural Gas

5.0kW each

Propane gas

4.6kW each

Griddle Burners;

5.0kW per 300mm section

Gas power

Natural gas

25.0kW (nett), 94,730 Btu/hr (gross)

Propane gas

23.4kW (nett), 86,785 Btu/hr (gross)

Gas flow rate

Natural gas 2.65m³/hr

Propane gas 1.83kg/hr

Gas connection

R 3/4 (BSP) male

130mm from RH side, 20mm from rear, and 655mm from floor

Dimensions

Width 900mm

Depth 800mm

Height 915mm

Incl. splashback 1085mm

Nett weight

85.5kg

Packing data

1.21m³, 126kg

Width 1010mm

Depth 955mm

Height 1250mm

Gas types

Available in Natural gas and Propane gas, please specify when ordering

Other gas types on request

Distributor:
KiD Catering Equipment
Oaktree Court Business Centre
Mill Lane, Ness,
Cheshire
CH64 8TP
Tel: 0333 123 2450
sales@kidcateringequipment.com



ISO9001
Quality
Management
Standard

Designed and manufactured by



ISO9001

All Cobra products are designed and manufactured by Moffat using the internationally recognised ISO9001 quality management system, covering design, manufacture and final inspection, ensuring consistent high quality at all times.

In line with policy to continually develop and improve its products, Moffat Limited reserves the right to change specifications and design without notice.



© Copyright Moffat Ltd
UK.C.01.19 / 1622

an Ali Group Company



The Spirit of Excellence