

C6B

600mm Griddle Gas Cooktop



C6B

- 600mm wide
- 2 griddle burners with pilot, flame failure and piezo ignition
- Machine finished griddle plate 12mm thickness
- Open cabinet base for extra storage
- Adjustable front feet and rear rollers
- Stainless steel finish
- Fully modular

Also Available



C6C



C6D

OVERALL CONSTRUCTION

- 12mm machined surface mild steel griddle plate
- Vitreous enamelled control panel
- Stainless steel front, sides and splashback
- Stainless steel cabinet interior base
- Stainless steel spill tray
- 63mm dia. stainless steel adjustable legs to front and two rollers at rear

CONTROLS

- Large easy use control knobs
- Variable high to low controls to griddle burners
- Standard with pilot, flame failure and piezo ignition

CLEANING AND SERVICING

- Easy clean stainless steel exterior
- Stainless steel grease trays
- Access to all parts from front of unit

Matching Products



CR9D



CR6C



CF2



CR9A



CT6



C450



CP4



CS9 / C900-S

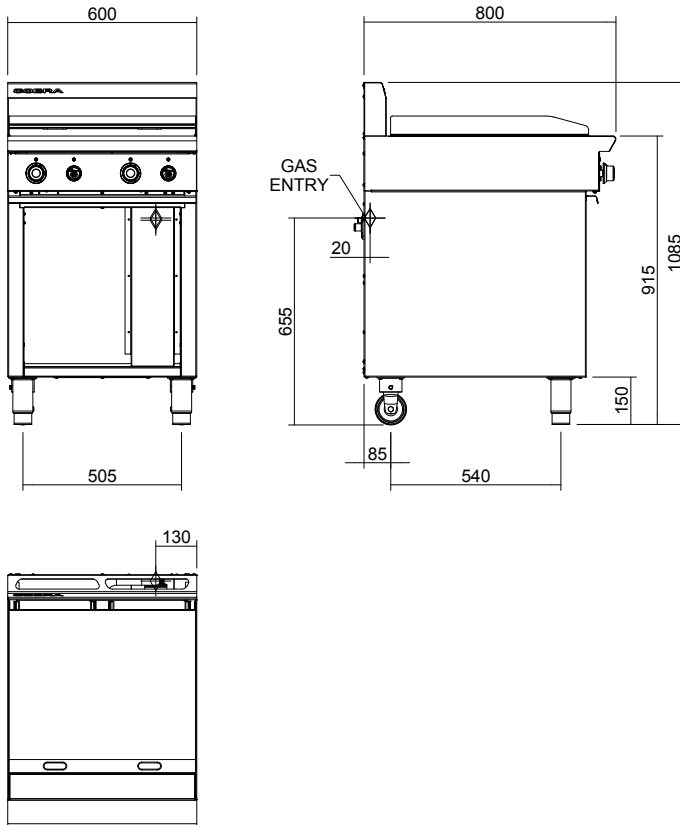


CT9

Distributor:

C6B

600mm Griddle Gas Cooktop



C6B

SPECIFICATIONS

Burners

Griddle Burners;
5.0kW per 300mm section

Gas power

Natural gas
10.0kW (nett), 37,890 Btu/hr (gross)

Propane gas
10.0kW (nett), 37,090 Btu/hr (gross)

Gas flow rate

Natural gas 1.06m³/hr
Propane gas 0.78kg/hr

Gas connection

R 3/4 (BSP) male
130mm from RH side, 20mm
from rear, and 655mm from floor

Dimensions

Width 600mm
Depth 800mm
Height 915mm
Incl. splashback 1085mm

Nett weight
78kg

Packing data

0.85m³, 109kg
Width 710mm
Depth 955mm
Height 1250mm

Gas types

Available in Natural gas and Propane gas,
please specify when ordering
Other gas types on request

Distributor:
KiD Catering Equipment
Oaktree Court Business Centre
Mill Lane, Ness,
Cheshire
CH64 8TP
Tel: 0333 123 2450
sales@kidcateringequipment.com



ISO9001
Quality
Management
Standard

Designed and manufactured by



ISO9001

All Cobra products are designed and manufactured by Moffat using the internationally recognised ISO9001 quality management system, covering design, manufacture and final inspection, ensuring consistent high quality at all times.

In line with policy to continually develop and improve its products, Moffat Limited reserves the right to change specifications and design without notice.



© Copyright Moffat Ltd
UK.C.01.19 / 1622

an Ali Group Company



The Spirit of Excellence