

C6B-B

600mm Griddle Gas Cooktop Bench Model



C6B-B

- Countertop Bench Model
- 600mm wide
- 2 griddle burners with pilot, flame failure and piezo ignition
- Machine finished griddle plate 12mm thickness
- Adjustable bench feet
- Stainless steel finish

Also Available



C6C-B



C6D-B

OVERALL CONSTRUCTION

- 12mm machined surface mild steel griddle plate
- Stainless steel front, sides and splashback
- Vitreous enamelled control panel
- Stainless steel spill tray
- 63mm dia. stainless steel adjustable bench feet

CONTROLS

- Large easy use control knobs
- Variable high to low controls to griddle burners
- Standard with pilot, flame failure and piezo ignition

CLEANING AND SERVICING

- Easy clean stainless steel exterior
- Stainless steel grease trays
- Access to all parts from front of unit

Matching Products



CR9D



CR6C



CF2



C9C



C6D



C450



CP4



CS9 / C900-S



CT6

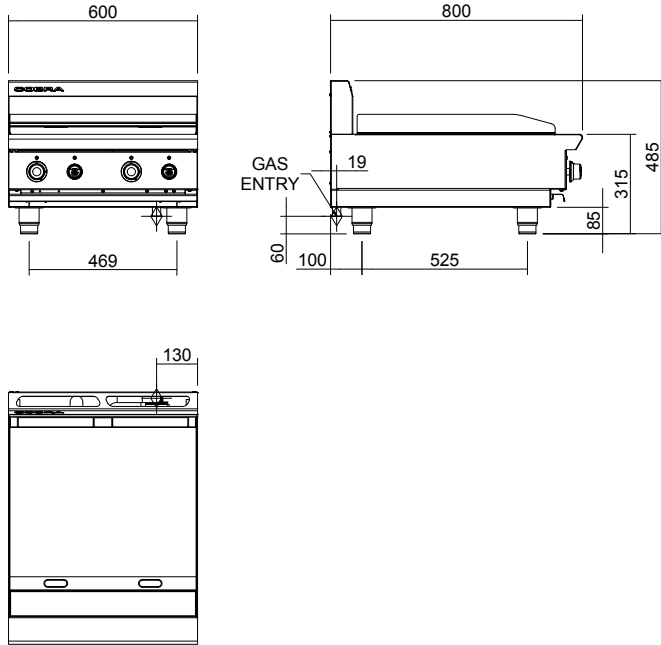


C300

Distributor:

C6B-B

600mm Griddle Gas Cooktop Bench Model



blue-seal.co.uk

C6B-B

Distributor:
 KiD Catering Equipment
 Oaktree Court Business Centre
 Mill Lane, Ness,
 Cheshire
 CH64 8TP
 Tel: 0333 123 2450
 sales@kidcateringequipment.com

SPECIFICATIONS

Burners
 Griddle Burners;
 5.0kW per 300mm section

Gas power
 Natural gas
 10.0kW (nett), 37,890 Btu/hr (gross)
 Propane gas
 10.0kW (nett), 37,090 Btu/hr (gross)

Gas flow rate
 Natural gas 1.06m³/hr
 Propane gas 0.78kg/hr

Gas connection
 R 3/4 (BSP) male
 130mm from RH side, 20mm from rear, and 60mm from bench

Dimensions
 Width 600mm
 Depth 800mm
 Height 315mm
 Incl. splashback 485mm

Nett weight
 62.5kg

Packing data
 0.51m³, 90.5kg
 Width 710mm
 Depth 955mm
 Height 750mm

Gas types
 Available in Natural gas and Propane gas,
 please specify when ordering
 Other gas types on request



ISO9001
 Quality
 Management
 Standard

Designed and manufactured by



ISO9001

All Cobra products are designed and manufactured by Moffat using the internationally recognised ISO9001 quality management system, covering design, manufacture and final inspection, ensuring consistent high quality at all times.

In line with policy to continually develop and improve its products, Moffat Limited reserves the right to change specifications and design without notice.



© Copyright Moffat Ltd
 UK.C.01.19 / 1622

an Ali Group Company



The Spirit of Excellence