

Halcyon AMH95 WSD

pass through
DISHWASHER

halcyon®

Halcyon AMH95 WSD Features

- **1 year warranty**
- Three button bright LED display with soft touch controls and alarms menu
- Accurate detergent and rinse aid peristaltic dosing pump
- Dosing set up by fascia controls
- Easy clean parallel wash and rinse arm assembly
- Internal automatic water softener as standard
- Drain pump as standard
- Breaktank as standard
- Optional surface scrap tray filters



Supplied with one pegged (capable of holding 18 10" plates), one open rack (capable of holding 25 pint glasses) and cutlery insert.

Additional racks can be purchased

Distributor:

KiD Catering Equipment, Oaktree Court Business Centre, Mill Lane, Ness, Cheshire, CH64 8TP
Tel: 0333 123 2450

sales@kidcateringequipment.com

Halcyon AMH95 WSD

pass through DISHWASHER



Technical Data

| | | |
|--------------------------|---------|----------------------------|
| Dimensions (W x D x H) | mm | 640 x 745 x 1335 + Feet |
| Feet height | mm | 165-225 |
| Rack size | mm | 500 x 500 |
| Maximum useable height | mm | 435 |
| Door opening | mm | 460 |
| Theoretical productivity | Racks/h | 40 |
| Effective productivity | Racks/h | 30* |

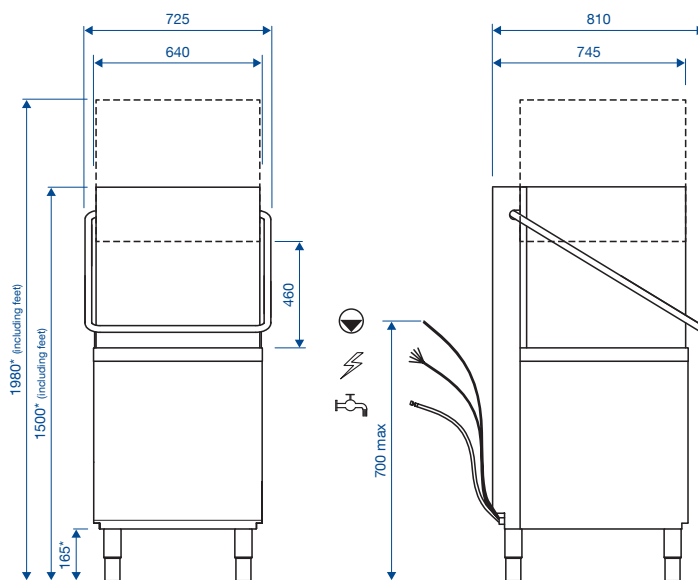
*Allowing 30 seconds for reloading
Cycle times may vary depending on local conditions/services

| | | |
|-------------------|----|------|
| Wash tank element | kW | 2.1 |
| Boiler element | kW | 6.0 |
| Wash pump | kW | 0.47 |
| Tank capacity | L | 15 |
| Noise emission | dB | ≤ 65 |

Packaging Specs

| | | |
|------------------|----------------|------------------|
| Gross weight | Kg | 100 |
| Cubic volume | m ³ | 0.98 |
| Dim. (W x D x H) | mm | 760 x 840 x 1520 |

Installation Diagram – All services must be within 1 meter



*Height-adjustable feet + 60mm

- Pumped waste into upstand, maximum height 700mm
- Power
- Water supply 2 – 4 bar

Power Supply

| | | |
|-------------------------|------------------|-----|
| Installed power | AMP | kW |
| 230V – 50Hz – 1N | 20 | 4.5 |
| | 30* | 6.5 |
| Optional 3 Phase config | Total load 6.5kW | |
| Fused | 16 amp | |

*Standard configuration

Water Connection

| | | |
|----------------------|-------|---------------|
| Inlet water pressure | Bar | 2 to 4 |
| Flow rate L/Min | L/Min | 6 |
| Water inlet temp | °C | 10 to 50 |
| Water connection | BSP | ¾" |
| Waste connection | Ø | Int 29/ext 34 |

Cycle Information

| | | |
|-----------------------------|-----------------|-----------------|
| Number of standard cycles | 2 | |
| Standard cycles times | Sec | 90/180 |
| Special cycle | Long | |
| Self-cleaning cycle | Full self clean | |
| Water consumption per cycle | L | 2.5 |
| Wash temperature | °C | 60 – adjustable |
| Rinse temperature | °C | 82 – adjustable |

Distributor:

KiD Catering Equipment, Oaktree Court Business Centre, Mill Lane, Ness, Cheshire, CH64 8TP
Tel: 0333 123 2450 sales@kidcateringequipment.com