

Halcyon AMH91 D

pass through
DISHWASHER

halcyon®

Halcyon AMH91 D Features

- **1 year warranty**
- Three button bright LED display with soft touch controls and alarms menu
- Dosing set up by fascia controls
- Drain pump as standard
- Breaktank as standard
- Accurate detergent and rinse aid peristaltic dosing pumps
- Dosing set up by fascia controls
- Easy clean parallel wash and rinse arm assembly
- Surface scrap tray filters as standard



Supplied with one pegged (capable of holding 18 10" plates), one open rack (capable of holding 25 pint glasses) and cutlery insert.

Additional racks can be purchased |



Gravity drain version
available: **AMH91**

Distributor:

KiD Catering Equipment, Oaktree Court Business Centre, Mill Lane, Ness, Cheshire, CH64 8TP
Tel: 0333 123 2450

sales@kidcateringequipment.com

Halcyon AMH91 D

pass through DISHWASHER

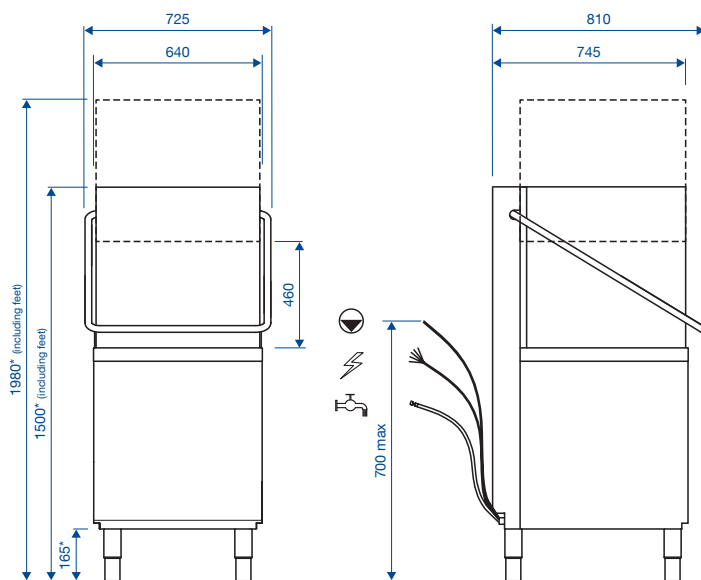


Technical Data

Dimensions (W x D x H)	mm	640 x 745 x 1335 + Feet	Wash tank element	kW	2.1
Feet height	mm	165-225	Boiler element	kW	6.0
Rack size	mm	500 x 500	Wash pump	kW	0.47
Maximum useable height	mm	435	Tank capacity	L	15
Door opening	mm	460	Noise emission	dB	≤ 65
Theoretical productivity	Racks/h	40			
Effective productivity	Racks/h	30*			

*Allowing 30 seconds for reloading
Cycle times may vary depending on local conditions/services

Installation Diagram – All services must be within 1 meter



*Height-adjustable feet + 60mm

- Pumped waste into upstand, maximum height 700mm
- Power
- Water supply 2 – 4 bar

Packaging Specs

Gross weight	Kg	96
Cubic volume	m ³	0.98
Dim. (W x D x H)	mm	760 x 840 x 1520

Power Supply

Installed power	AMP	kW
	20	4.5
230V – 50Hz – 1N	30*	6.5
	Optional 3 Phase config Total load 6.5kW	
Fused	16 amp	

*Standard configuration

Water Connection

Inlet water pressure	Bar	2 to 4
Flow rate L/Min	L/Min	6
Water inlet temp	°C	10 to 50
Water connection	BSP	¾"
Waste connection	Ø	Int 29/ext 34

Cycle Information

Number of standard cycles	2	
Standard cycles times	Sec	90/180
Special cycle	Long	
Self-cleaning cycle	Partial clean	
Water consumption per cycle	L	2.5
Wash temperature	°C	60 – adjustable
Rinse temperature	°C	82 – adjustable

Distributor:

KiD Catering Equipment, Oaktree Court Business Centre, Mill Lane, Ness, Cheshire, CH64 8TP
Tel: 0333 123 2450 sales@kidcateringequipment.com