

Halcyon AMH91

pass through
DISHWASHER

halcyon®

Halcyon **AMH91** Features

- **1 year warranty**
- Three button bright LED display with soft touch controls and alarms menu
- Dosing set up by fascia controls
- Breaktank as standard
- Accurate detergent and rinse aid peristaltic dosing pumps
- Easy clean parallel wash and rinse arm assembly
- Surface scrap tray filters as standard



Supplied with one pegged (capable of holding 18 10" plates), one open rack (capable of holding 25 pint glasses) and cutlery insert.

Additional racks can be purchased



Drain pump version
available: **AMH91 D**

Distributor:

KiD Catering Equipment, Oaktree Court Business Centre, Mill Lane, Ness, Cheshire, CH64 8TP
Tel: 0333 123 2450
sales@kidcateringequipment.com

Halcyon AMH91

pass through DISHWASHER



Technical Data

Dimensions (W x D x H)	mm	640 x 745 x 1335 + Feet
Feet height	mm	165-225
Rack size	mm	500 x 500
Maximum useable height	mm	435
Door opening	mm	460
Theoretical productivity	Racks/h	40
Effective productivity	Racks/h	30*

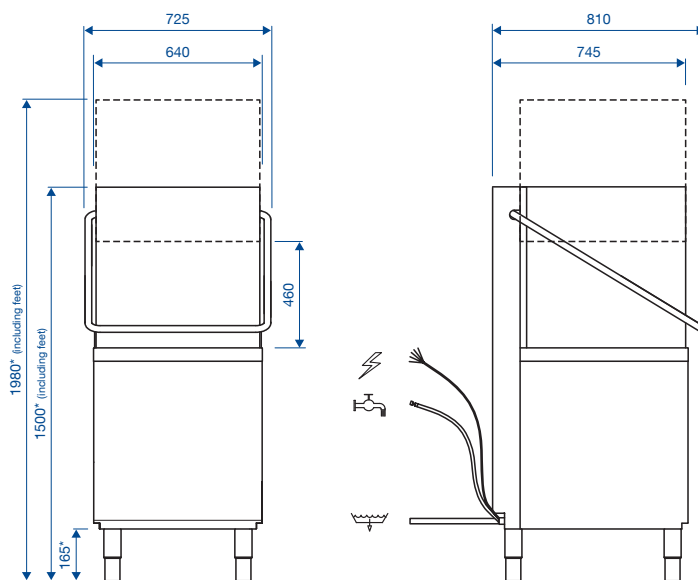
Wash tank element	kW	2.1
Boiler element	kW	6.0
Wash pump	kW	0.47
Tank capacity	L	15
Noise emission	dB	≤ 65

*Allowing 30 seconds for reloading
Cycle times may vary depending on local conditions/services

Packaging Specs

Gross weight	Kg	95
Cubic volume	m ³	0.98
Dim. (W x D x H)	mm	760 x 840 x 1520

Installation Diagram – All services must be within 1 meter



*Height-adjustable feet + 60mm



Power Supply

Installed power	AMP	kW
230V – 50Hz – 1N	20	4.5
	30*	6.5
Optional 3 Phase config	Total load 6.5kW	
Fused	16 amp	

*Standard configuration

Water Connection

Inlet water pressure	Bar	2 to 4
Flow rate L/Min	L/Min	6
Water inlet temp	°C	10 to 50
Water connection	BSP	¾"
Waste connection	Ø	Int 29/ext 34

Cycle Information

Number of standard cycles	2	
Standard cycles times	Sec	90/180
Special cycle	Long	
Self-cleaning cycle	Partial clean	
Water consumption per cycle	L	2.5
Wash temperature	°C	60 – adjustable
Rinse temperature	°C	82 – adjustable

Distributor:

KiD Catering Equipment, Oaktree Court Business Centre, Mill Lane, Ness, Cheshire, CH64 8TP
Tel: 0333 123 2450 sales@kidcateringequipment.com