

# Halcyon AMH51

undercounter  
DISHWASHER

halcyon®

## Halcyon **AMH51** Features

- **1 year warranty**
- Three button bright LED display with soft touch controls and alarms menu
- Accurate detergent and rinse aid peristaltic dosing pump
- Dosing set up by fascia controls
- Easy clean parallel wash and rinse arm assembly
- Breaktank as standard
- Optional surface scrap tray filters



Supplied with one pegged (capable of holding 18 10" plates) one open cup/glass rack (capable of holding 25 pint glasses) and cutlery insert

Additional racks can be purchased



**Drain pump version available: AMH51 D**  
(drain pump cannot be retro fitted)

**Distributor:**

KiD Catering Equipment, Oaktree Court Business Centre, Mill Lane, Ness, Cheshire, CH64 8TP  
Tel: 0333 123 2450 [sales@kidcateringequipment.com](mailto:sales@kidcateringequipment.com)

# Halcyon AMH51

## undercounter DISHWASHER

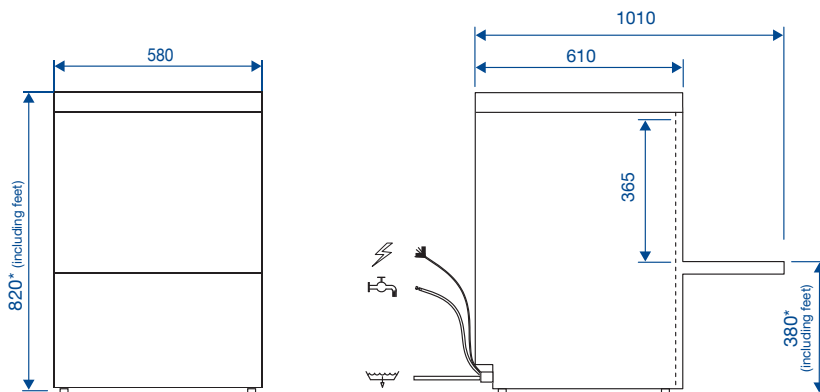


### Technical Data

Dimensions (W x D x H)	mm	580 x 610 x 810 + Feet	Wash tank element	kW	2.1
Feet height	mm	10-20	Boiler element	kW	6.0
Rack size	mm	500 x 500	Wash pump	kW	0.47
Maximum useable height	mm	340	Tank capacity	L	20
Door opening	mm	365	Noise emission	dB	≤ 55
Theoretical productivity	Racks/h	40	<b>Packaging Specs</b>		
Effective productivity	Racks/h	30*	Gross weight	Kg	66
			Cubic volume	m <sup>3</sup>	0.45
			Dim. (W x D x H)	mm	670 x 690 x 980

\*Allowing 30 seconds for reloading  
Cycle times may vary depending on local conditions/services

### Installation Diagram – All services must be within 1 meter






\*Height-adjustable feet + 10mm

### Power Supply

Installed power	AMP	KW
230V – 50Hz – 1N	13	2.6
	20	4.5
	30*	6.5
Optional 3 Phase config	Total load 6.5kW	
Fused	16 amp	

\*Standard configuration

-  **Power**
-  **Water supply 2 – 4 bar**
-  **Gravity drain**

### Water Connection

Inlet water pressure	Bar	2 to 4
Flow rate L/Min	L/Min	6
Water inlet temp	°C	10 to 50
Water connection	BSP	¾"
Waste connection	Ø	Int 29/ext 34

### Cycle Information

Number of standard cycles		2
Standard cycles times	Sec	90/180
Special cycle		Long
Self-cleaning cycle		Full self clean
Water consumption per cycle	L	2.5
Wash temperature	°C	60 – adjustable
Rinse temperature	°C	65 – adjustable

**Distributor:**  
**KiD Catering Equipment, Oaktree Court Business Centre, Mill Lane, Ness, Cheshire, CH64 8TP**  
**Tel: 0333 123 2450**  
**sales@kidcateringequipment.com**