



Proudly made in the UK, Precision's high performance, easy to use Blast Chiller / Freezers have been designed to provide energy efficient and reliable Chilling & Freezing solutions in commercial kitchens all around the world.

Available in under counter and reach-in models with capacities ranging from 15kg to 50kg per 90 minutes chilling or 240 minute freezing cycle. All models accommodate gastronorm GN1/1 pans.

Key Features:

Stainless Steel Interior & Exterior

Intuitive Digital Control Panel

Blast Chill +90 To 3°C In 90 Minutes*

Chill Store 0 / +3°C

Blast Freeze +90 To -18°C in 240 Minutes*

Freeze Store -18 / -20°C

Choice Of Time Or Food Probe Control

Automatic Storage At End Of Each Blast Cycle

Automatic Defrost At End Of Each Blast Cycle

R452A Refrigerant

Zero ODP Injected Polyurethane Insulation - 60mm

Ergonomic Flush Door Handle

Gastronorm Shelving System - Anti Tilt Slides

Condensing Unit Safety System To Protect Compressor From Blocked Condensers

Self Closing Door

Heavy Duty Brake & Swivel Castors

Automatic Condensate Vaporiser System



PCF15

Options:

Nylon Coated Shelves - GN1/1

Stainless Steel Shelves - GN1/1

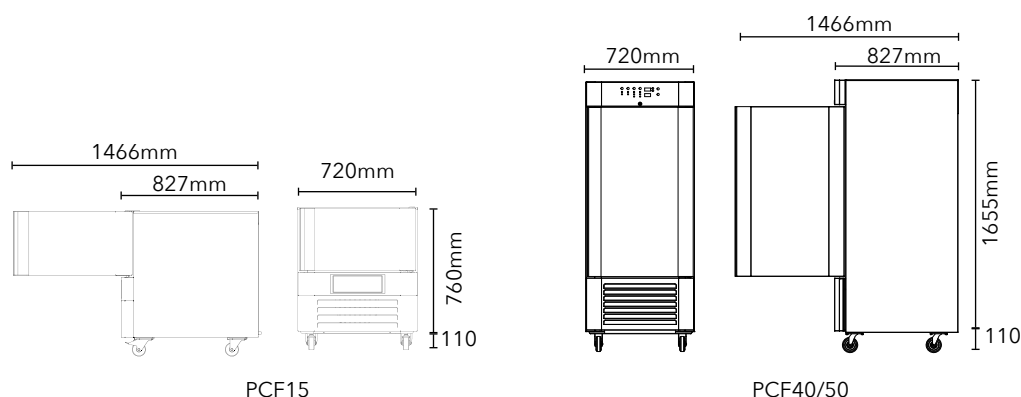
GN1/1 Pan Set - 40mm Deep

Stainless Steel Back

Adjustable Legs

Left Hand Hung Door

*All Quoted Times/Weights Depend On Product, Water Content & Density



PCF15

PCF40/50

Model	PCF15	PCF40	PCF50
Type	Blast Chiller / Freezer	Blast Chiller / Freezer	Blast Chiller / Freezer
Material	ST/ST Int/Ext	ST/ST Int/Ext	ST/ST Int/Ext
Shelf Size	GN1/1	GN1/1	GN1/1
Pairs of Tray Slides Supplied	3	10	15
Max Number of Trays/Shelves (not supplied)	3	10	15
Temperature Range	+90 / 3°C +90 / -18°C	+90 / 3°C +90 / -18°C	+90 / 3°C +90 / -18°C
Exterior WxDxH (mm)	720x827x870	720x827x1765	720x827x1765
Chilling / Freezing Capacity (kg)	15	40	50
Weight (KG)	85	180	185
Refrigerant / GWP	R452A/2140	R452A/2140	R452A/2140
Refrigeration Watts (+45°C Condensing)	1686 / 560	2152 / 628	3141 / 695
Evaporating Temp	-5°C / -30°C	-5°C / -30°C	-5°C / -30°C
Heat Rejection Watts*	3362	4355	5659
Noise Output (dBa)	85	92	96
Power	230 / 50 / 1 13 Amp Supply	230 / 50 / 1 13 Amp Supply	230 / 50 / 1 16 Amp Supply
Running Amps	5.6 / 4.2	10.2 / 6.6	13 / 8.5
Energy Consumption / 24hrs - kWh**	N/A	N/A	N/A
Energy Consumption / Year (AEC) - kWh**	N/A	N/A	N/A
Energy Efficiency Class**	N/A	N/A	N/A

* Heat Rejection is taken at the listed evaporating and condensing condition. Watts is calculated by taking the total power of the cabinet.

** Tested to EN16825

We are constantly innovating and improving our products. Please always check our website for the most up-to-date version of this spec sheet