

### M-iClean UM – Undercounter glass washer

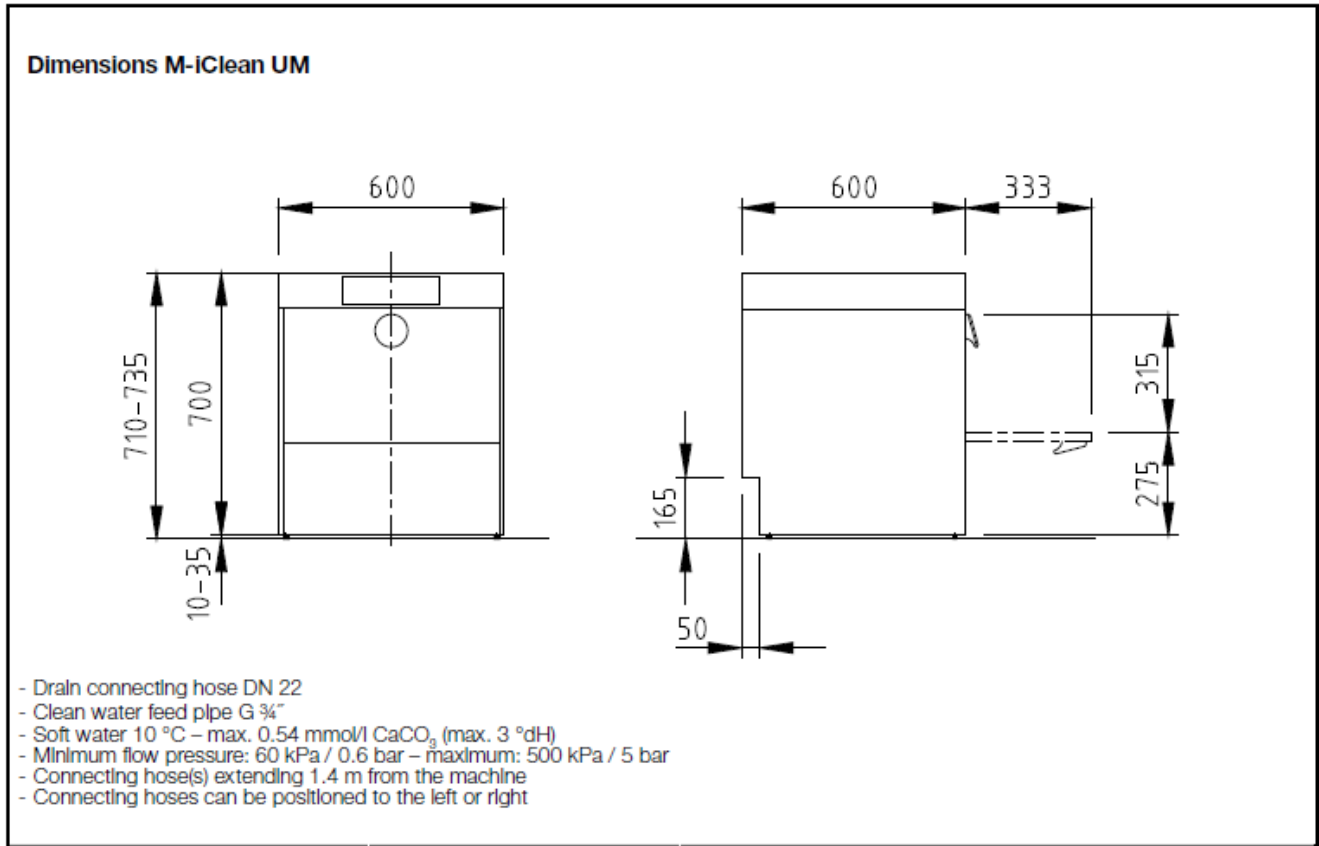
A new generation of appliances that are designed to appeal to all our senses, created from an affinity for technology, efficiency, eco-friendliness and beautiful design. Dishwashing has never been so cost-effective, so environmentally-friendly and so attractive to the eye.



**Capacity: up to 40 baskets/hour**  
**Basket dimensions: 500 x 500 mm**  
**Entry height 315 mm**

Cold or hot water connection  
 3 phase NPE, 400 V, 50 Hz - can be converted to 1 NPE, 230 V,  
 50 Hz on site / fuse protection 16 A (option 20 A)

Technical data: Version: glass washer	M-iClean UM		Characteristics/Sales advantages:							
	400 V	230 V								
Tank heating In kW:	2.0		<ul style="list-style-type: none"> <li>• Handle with LED illumination and colour-coded status display</li> <li>• Touch display made from hygienic safety glass with programme progress indicator and high resolution TFT colour graphic display</li> <li>• Intuitive user interface – blue operating concept</li> <li>• Interior illuminated when the door is open</li> <li>• Intelligent energy management system – multiple power-saving modes</li> <li>• Bluetooth interface</li> <li>• <b>M-iClean</b> filter – active filter system (incl. monitoring of correct positioning and function)</li> <li>• Detergent and rinse agent pipes inside machine made from stainless steel</li> <li>• Thanks to its adjustable wash cycle parameters the <b>M-iClean</b> can be tailored to the customer's exact requirements, washware and types of soiling (by authorised service representatives). Short cycles with a higher theoretical basket capacity can be adjusted individually (dependent on provided power supply, fuse protection, feed water temperature, dirt level, ...).</li> </ul>							
Boller heating In kW:	6.0	2.0								
Pump capacity In kW:	0.55									
Total connected load In kW:	6.8	2.8								
Water consumption l/basket:	2.4									
Tank capacity In l:	11.0									
Entry height In mm:	315									
Basket dimensions In mm:	500 x 500									
Programme cycle In sec:	90/120/180									
<b>Theoretical capacity baskets/h:</b>	<b>40/30/20</b>									
Programme cycle In sec (cold w.):	90/120/180	180/180/240								
<b>Theoretical capacity baskets/h:</b>	<b>40/30/20</b>	<b>20/20/15</b>								
<b>with cold water rinse:</b>							<b>Programmes / temperatures UM</b>			
Tank heating In kW:	4.5	–					<b>Cold water rinse and GIO MODULE</b>			
Total connected load In kW:	6.9	–		<b>Cycle time</b>	<b>Tank temperature</b>	<b>Rinse temperature</b>				
Water consumption l/basket:	3.2	–	<b>Short cycle</b>	90 sec	55 °C	°C*				
Programme cycle In sec (cold w. max. 35 °C):	90/120/120	–	<b>Standard cycle</b>	120 sec	55 °C	°C*				
<b>Theoretical capacity baskets/h:</b>	<b>40/30/30</b>	–	<b>Intensive cycle</b>	120 sec	60 °C	65 °C				
* depends on feed water temperature										



**Option:**

**Reverse osmosis module for M-iClean UM**

**GiO MODULE – integrated in lower part of plinth**

- 120 mm machine height: UM 820 mm or
- 150 mm machine height: UM 850 mm

**GiO MODULE – integrated on rear of unit**

- machine depth: UM 690 mm

**GiO MODULE – positioned separately from unit (W x D x H) 140 x 550 x 600 mm**

**GiO MODULE (all models):**

Cold water connection (max. 35 °C), minimum flow pressure 1 bar, maximum 5 bar.

Conductivity of raw water <1000 µS/cm. Total water hardness max. 28 °dH.

**Connection kit:**

Reinforced hose (1 m), stop valve, pressure reducer, 10 µm filter with activated carbon, reinforced hose (2 m) to machine.

**Drain kit:**

Concentrate drain hose approx. 2 m, drain piping incl. isolation from mains. Type 'AA' air gap according to EN 1717.

Permeate and electrical lines between machine and separate **GiO MODULE approx. 3 m.**

When using the GiO MODULE the fresh water supply must be isolated from the mains in accordance with EN 1717 (optional). (1 bar = 100 kPa) (1 °dH approx. 0.18 mmol/l CaCO<sub>3</sub>)