

Evolution

pass through

DISHWASHERS



Evolution 2135 ws

Maidaid Evolution 2135 WS Features

- **2 year warranty**
- Polychromatic LCD display and user interface giving uncomplicated machine status updates



- Four button control fascia with special programmes button, operational self-diagnostics & alarms menu
- Quick release parallel wash & rinse arm design
- Stainless steel scrap tray filters supplied as standard
- Tripple wash tank filtration system
- Internal continuous water softener as standard
- Drain pump and breaktank as standard
- Three standard cycle time options with a range of extensive special cycles
- Cycle times can be tailored to site requirements
- Comprehensive automatic self cleaning at end of service
- Selectable energy saving mode
- Selectable thermostop ensures optimum rinse temperatures
- Full double skinned body & hood minimising both acoustic output and reduced heat loss
- Easy lift super glide hood system
- Patented dual flow wash pump - reducing power whilst retaining wash efficiency
- Moulded wash tank for easy cleaning
- Accurate detergent & rinse aid dosing pumps as standard



EVOLUTION 2135 WS
(shown with tabling – not included)

Supplied with one pegged (capable of holding 18 10" plates), one open rack (capable of holding 25 pint glasses) and cutlery insert.

Additional racks can be purchased



Distributor:

KiD Catering Equipment, Oaktree Court Business Centre, Mill Lane, Ness, Cheshire, CH64 8TP
Tel: 0333 123 2450
sales@kidcateringequipment.com

Evolution

pass through

DISHWASHERS



Evolution 2135 ws



EVOLUTION 2135 WS
(shown with tableting – not included)

Technical Data

Dimensions (W x D x H)	mm	640 x 755 x 1370 + Feet
Feet height	mm	165-225
Rack size	mm	500 x 500
Maximum useable height	mm	440
Door opening	mm	460
Theoretical productivity	Racks/h	51
Effective productivity	Racks/h	36*

*Allowing 30 seconds for reloading
Cycle times may vary depending on local conditions/services

Wash tank element	kW	2.5
Boiler element	kW	6
Wash pump	kW	0.7
Tank capacity	L	22
Noise emission	dB	≤ 65

Packaging Specs

Gross weight	Kg	120
Cubic volume	m ³	1.02
Dim. (W x D x H)	mm	870 x 760 x 1540

Power Supply

Installed power	AMP	kW
230V – 50Hz – 1N	20	4.7
	30*	6.7
Optional 3 Phase config	Total load 6.7kW	
Fused	16 amp	

*Standard configuration

Water Connection

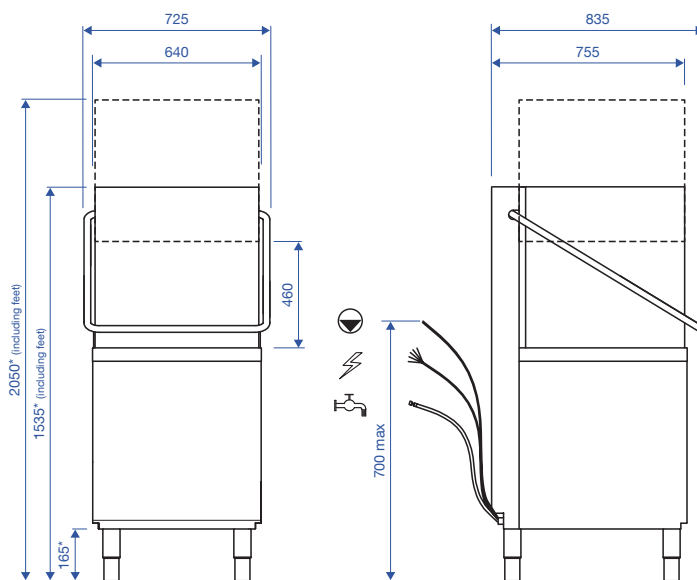
Inlet water pressure	Bar	2 to 4
Flow rate L/Min	L/Min	6
Water inlet temp	°C	10 to 50
Water connection	BSP	¾"
Waste connection	Ø	Int 29/ext 34

Cycle Information

Number of standard cycles	3	
Standard cycles times	Sec	70/90/180
Special cycle	ProSan, ProEco, ProNew, ProLong, ProGlass, ProActive, ProSteel	
Self-cleaning cycle	Full self clean	
Water consumption per cycle	L	2
Wash temperature	°C	60 – adjustable
Rinse temperature	°C	82 – adjustable

Installation Diagram –

All services must be within 1 meter



*Height-adjustable feet + 60mm

- Pumped waste into upstand, maximum height 700mm
- Power
- Water supply 2 – 4 bar

Distributor:

KiD Catering Equipment, Oaktree Court Business Centre, Mill Lane, Ness, Cheshire, CH64 8TP
Tel: 0333 123 2450 sales@kidcateringequipment.com