

# BLUE SEAL SR SERIES®

---

## GAS 6 BURNER RANGE STATIC OVEN G750-6



### Standard Features

- 750mm depth
- Medium-duty
- Stainless steel finish
- Easy view controls
- Semi-sealed hob
- Hygienic 1-piece hob front
- 5.8 kW open burners
- Lift off brass burners with enamelled caps
- Lift off stainless steel spill tray
- Vitreous enamelled cast iron double potstands
- GN 2/1 gas static oven
- 7.9 kW oven burner
- 130-270°C thermostatic control
- Piezo ignition to oven burner
- Side hinged doors
- Vitreous enamelled oven liner
- Removable vitreous enamelled oven base tray
- 5 shelf position racking
- Removable chrome wire rack supports
- Supplied with 2 chrome wire oven racks
- Stainless steel adjustable legs standard

### Options

- Available in Natural gas and Propane gas, please specify when ordering
- Gas type conversion kit
- Adjustable castor kit

# BLUE SEAL SR SERIES®

## GAS 6 BURNER RANGE STATIC OVEN G750-6

### Specifications

#### Burner Ratings (gross)

Open burners 5.8 kW, 20,000 Btu/hr

Oven burner 7.9 kW, 27,000 Btu/hr

#### Total Ratings (gross)

42.7 kW, 147,000 Btu/hr

#### Gas Connection

3/4 (BSP) female

All units supplied with 3/4 BSP hex nipple

Nat gas units supplied with regulator

#### Supply Pressure

Natural gas 20mbar

Propane gas 37mbar

#### Operating Pressure

Natural gas 15mbar

Propane gas 37mbar

#### Gas Consumption

Natural gas 4.0m<sup>3</sup>/hr

Propane gas 3.0kg/hr

#### Installation Clearances

From combustible surfaces

Sides 150mm

Rear 100mm

#### Dimensions

Width 900mm

Depth 750mm

Height 890mm hob

Height 921mm overall

#### Oven Dimensions

Width 770mm

Depth 605mm

Height 420mm

Rack size 745mm x 540mm

Rack positions 5

#### Nett weight

110kg

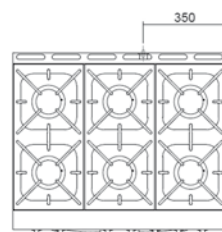
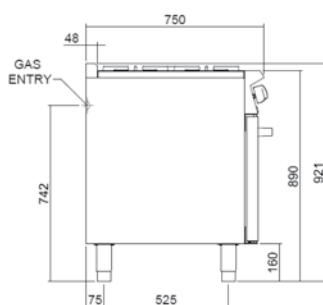
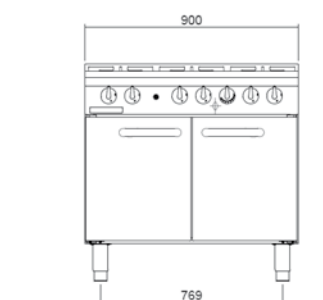
#### Packing data

0.70m<sup>3</sup>, 155kg

Width 935mm

Depth 865mm

Height 862mm



KID Catering Equipment  
Oaktree Court Business Centre  
Mill Lane, Ness, Cheshire, CH64 8TPL  
Tel: 0333 123 2450  
sales@kidcateringequipment.com



ISO9001  
Quality  
Management  
Standard

Designed and manufactured by



ISO9001

All Blue Seal products are designed and manufactured by Moffat using the internationally recognised ISO9001 quality management system, covering design, manufacture and final inspection, ensuring consistent high quality at all times.

In line with policy to continually develop and improve its products, Moffat Limited reserves the right to change specifications and design without notice.

