

Technical data sheet for
ELECTRIC SALAMANDER
E91B

- Powerful 6kW infra-red elements
- Left and right heat control
- Branding plate option
- Wall mounting bracket
- Easy clean
- Easy service



E91B

Overall Construction

- Monocoque construction
- Enamelled front brow
- External panels of 0.9mm stainless steel
- Stainless steel tray under grilling area with grease trough
- Two 3kW infra-red elements

Racking

- Four position racking (flat or inclined)
- Adjustable chrome wire rack with heat resistant handles

Controls

- Large easy use controls
- Heat resistant reinforced control knobs
- Indicator light for each element
- Each side controlled by a 3 heat switch

Cleaning and Servicing

- Access to all parts from front of unit
- Stainless steel and enamelled surfaces used throughout

Technical data sheet for ELECTRIC SALAMANDER

BLUE SEAL

Specifications

Elements

2 x 3kW

Electrical requirements

230-240V, 1P+N+E, 50/60Hz, 6kW, 25A

Dimensions

Width 900mm

Depth 424mm (455mm with wall mounting bracket)

Height 456mm

Cooking area

Rack size 610mm x 310mm, 1890cm²

Branding Plate 610mm x 310mm, 1890cm²

Nett weight

36kg

Packing data

0.31m³, 63kg

Width 945mm

Depth 520mm

Height 635mm

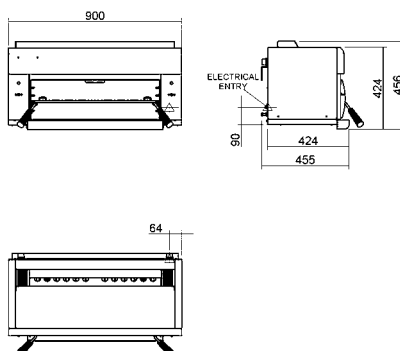
Electrical connection

230-240V 1 phase hard wired via terminal block at back of unit 64mm from right side and 90mm from bottom of unit

Options

100mm high feet for bench mounting

E91B



Supplied by: **KiD Catering Equipment**
Oaktree Court Business Centres
Mill Lane, Ness, Cheshire, CH60 2TS
Tel: 0333 123 2450
sales@kidcateringequipment.com



ISO9001
Quality
Management
Standard

Designed and manufactured by

MOFFAT

ISO9001

All Blue Seal products are designed and manufactured by Moffat using the internationally recognised ISO9001 quality management system, covering design, manufacture and final inspection, ensuring consistent high quality at all times.



In line with policy to continually develop and improve its products, Moffat Limited reserves the right to change specifications and design without notice.

BLUE SEAL EVOLUTION SERIES®

Printed in China
© Copyright Moffat Ltd
Moffat/6859/BH/02.09

